

Technical Data Sheet

Series: **Kyro**

Article code: **86CR6515**

Description:

Built-in shower mixer

Materials:

Brass

Surface finish Chrome:

14 micron Nickel

0.3 microm Chrome

Finishings



CR



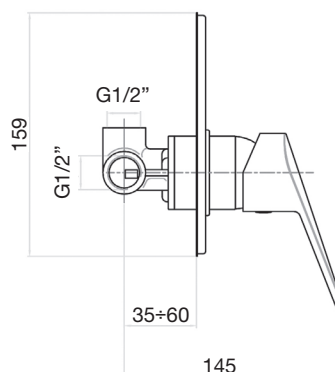
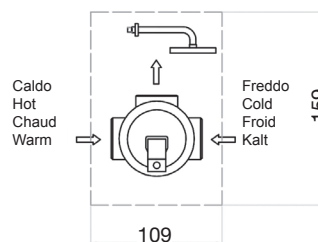
Features



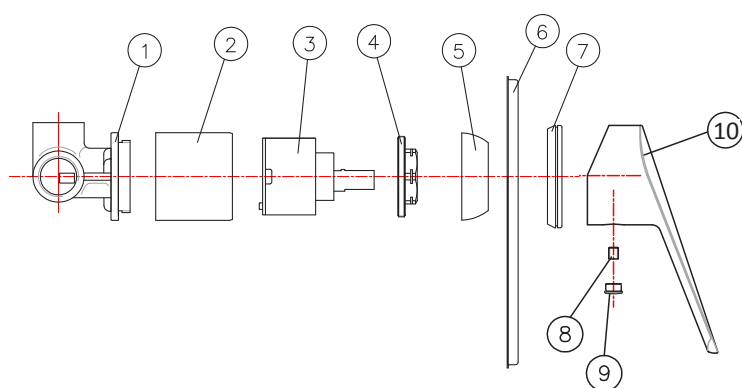
Cartridge diam. 42 mm with 2 ceramic disks, with 25° opening angle, and 90° mixing angle. We use only certified white lubricant into our mixers and cartridges.

Cast solid brass body

Plate in brass



Technical Data Sheet



01	Built-in body	Brass
02	Ring	Brass
03	Cartridge Ø42 mm	/
04	Locking nut	Brass
05	Cap	Chrome ABS
06	Plate	Brass
07	Gasket	Plastic
08	Plaquette	Chrome ABS
09	Screw M5x6	Steel
10	Lever	Zamac

Maintenance

Product care also includes regularly cleaning the aerator filter from impurities and/or lime scale. For correct decalcification, disassemble the aerator and place it into diluted vinegar (max concentration: 10% at 20°C) to remove lime scale deposits and/or dirt from the aerator filters. Leave it to soak for a few hours, and then rinse using only water.

Cleaning recommendation for products and care of finish

Chrome: the chrome surfaces can be cleaned with a mild detergent or with neutral soap and water.

Color finishes: taps with colored finishes should be cleaned only with a cloth and water.

Never use detergents containing mineral acids (ex. hydrochloric acid), aggressive acids (ex. acetic acid), bases (ex. ammonia) phosphoric acid or other aggressive substances, as they can cause significant damage.



www.fiore.it