

Technical Data Sheet

Series: **Kyro**

Article code: **86CR8152**

Description:

Bath mixer without shower set.

Materials:

Brass

Surface finish Chrome:

14 micron Nickel

0.3 microm Chrome

Finishings



CR



Features



Cartridge diam. 35 mm with 2 ceramic disks, with 25° opening angle, and 90° mixing angle. We use only certified white lubricant into our mixers and cartridges.



Aerator Male thread 24 x 1

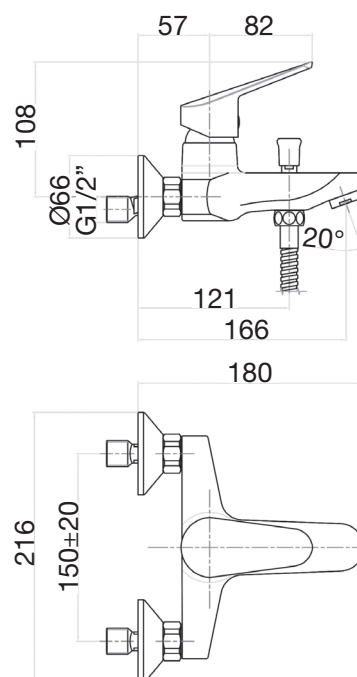


Forged solid brass wall connector with brass rosette
Long ¾ nut for wall connection
150 mm wheelbase body with adjusting wall connector from 130mm to 170mm

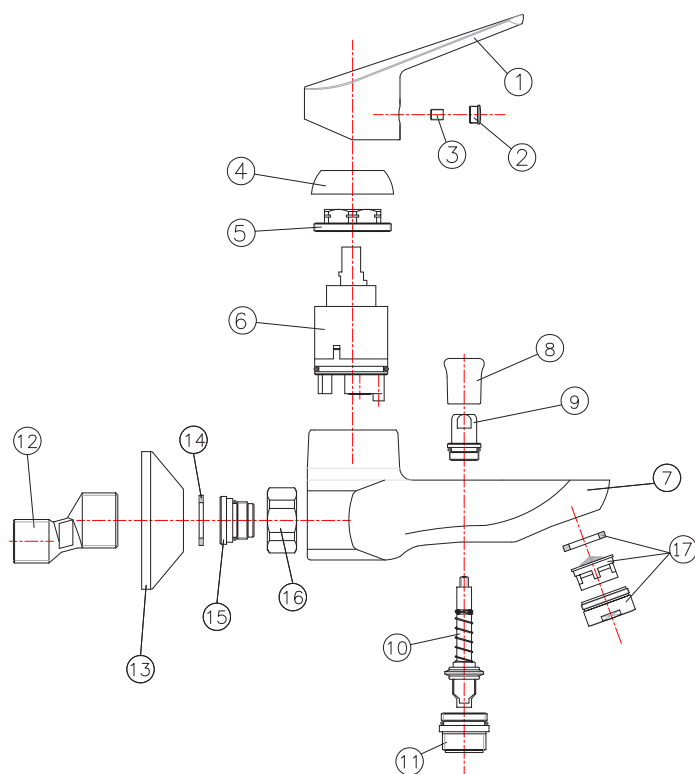


Automatic solid brass diverter with stainless steel spring
90° turning locking diverter to be also used in case of low pressure

Suitable for electrical water heater



Technical Data Sheet



01	Lever	Zamac
02	Plaquette	Chrome ABS
03	Screw M5x6	Steel
04	Cap	Chrome ABS
05	Locking nut	Brass
06	Cartridge Ø35 mm	/
07	Body	Brass
08	Knob for diverter	Chrome ABS
09	Upper connection	Brass
10	Rod	Brass
11	Lower connection	Brass
12	Excentric union	Brass
13	Plate	Brass
14	Gasket	Fiber
15	Seat 18x19	Brass
16	Nut	Brass
17	Aerator M24x1	/

Maintenance

Product care also includes regularly cleaning the aerator filter from impurities and/or lime scale. For correct decalcification, disassemble the aerator and place it into diluted vinegar (max concentration: 10% at 20°C) to remove lime scale deposits and/or dirt from the aerator filters. Leave it to soak for a few hours, and then rinse using only water.

Cleaning recommendation for products and care of finish

Chrome: the chrome surfaces can be cleaned with a mild detergent or with neutral soap and water.

Color finishes: taps with colored finishes should be cleaned only with a cloth and water.

Never use detergents containing mineral acids (ex. hydrochloric acid), aggressive acids (ex. acetic acid), bases (ex. ammonia) phosphoric acid or other aggressive substances, as they can cause significant damage.



www.fiore.it