

Technical Data Sheet

Series: **Kube**

Article code: **100CR8554**

Description:

Floor-mounted bath mixer.

Materials:

Brass

Surface finish Chrome:

14 micron Nickel

0.3 microm Chrome

Finishings



CR



Features



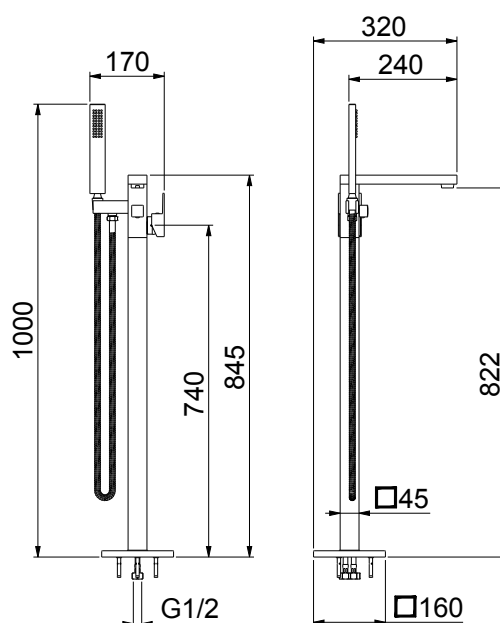
Cartridge diam. 35 mm with 2 ceramic disks, with 25° opening angle, and 90° mixing angle. We use only certified white lubricant into our mixers and cartridges.



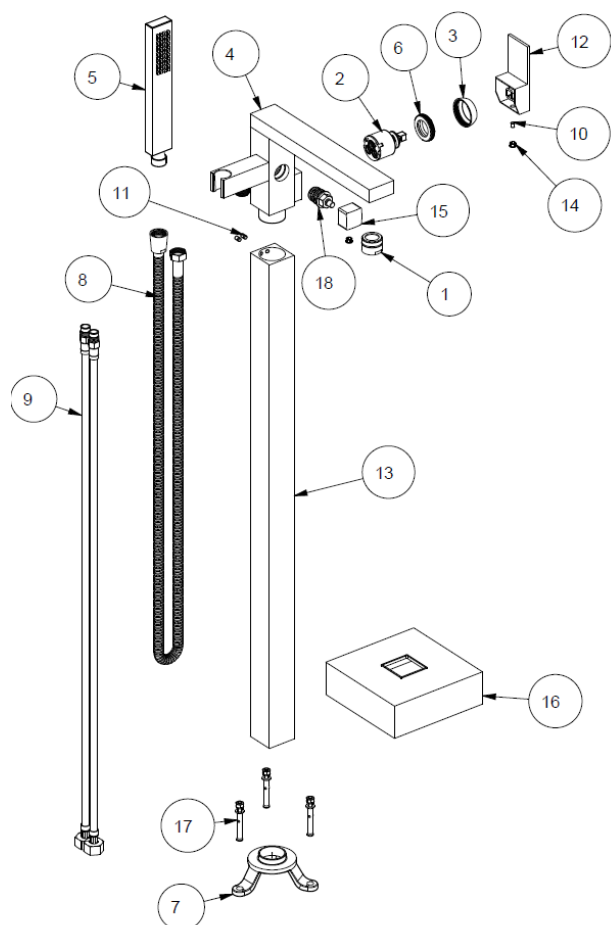
Aerator Male thread 28 x 1



Stainless steel flex hoses cm 80 with 1/2 brass nut with internal non removable rubber



Technical Data Sheet



01	Aerator M28x1	/
02	Cartridge Ø35 mm	/
03	Cap	Chrome ABS
04	Spout and Body	Brass
05	Shower hand	Chrome ABS
06	Locking nut	Brass
07	Flange	Brass
08	Flex 150 cm	/
09	Flex 80 cm 1/2"F	/
10	Screw M5x6	Steel
11	Screw M5x8	Steel
12	Lever	Zamac
13	Extension	Brass
14	Plaquette	Chrome ABS
15	Knob for diverter	Brass
16	Plate	Brass
17	Plug	/
18	Diverter valve	Brass

Maintenance

Product care also includes regularly cleaning the aerator filter from impurities and/or lime scale. For correct decalcification, disassemble the aerator and place it into diluted vinegar (max concentration: 10% at 20°C) to remove lime scale deposits and/or dirt from the aerator filters. Leave it to soak for a few hours, and then rinse using only water.

Cleaning recommendation for products and care of finish

Chrome: the chrome surfaces can be cleaned with a mild detergent or with neutral soap and water.

Color finishes: taps with colored finishes should be cleaned only with a cloth and water.

Never use detergents containing mineral acids (ex. hydrochloric acid), aggressive acids (ex. acetic acid), bases (ex. ammonia) phosphoric acid or other aggressive substances, as they can cause significant damage.



www.fiore.it/catalogues