

Pegler Proflow

DZR Double regulating valve (DRV) ISO 228 parallel thread, with regulation and isolation functions

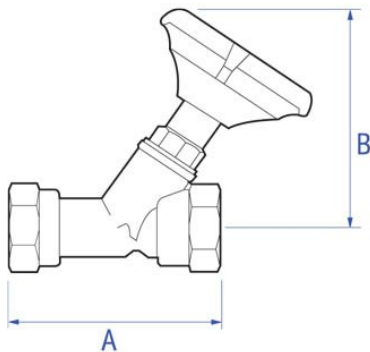
1200SF Fixed double regulating valve



General Information

Size	Pattern No.	Pack 1 Qty	Pack 2 Qty	Code	Barcode	Price (£) each ex VAT
1/2" (SF)	1200SF	1	5	126002	5022050560902	£69.73
3/4" (SF)	1200SF	1	4	126003	5022050561008	£109.94
1" (SF)	1200SF	1	3	126004	5022050561329	£132.65
1.1/4" (SF)	1200SF	1	2	126005	5022050561732	£150.04
1.1/2" (SF)	1200SF	1	2	126006	5022050561794	£198.21
2" (SF)	1200SF	1	2	126007	5022050561916	£231.02

1200SF Fixed double regulating valve



Dimensions

Code	Description	A	B
126002	1/2" 1200SF	79	106 0.49
126003	3/4" 1200SF	86	106 0.55
126004	1" 1200SF	103	113 0.86
126005	1.1/4" 1200SF	121	120 1.24
126006	1.1/2" 1200SF	127	123 1.62
126007	2" 1200SF	157	138 2.90

Pegler Yorkshire reserve the right to change specifications

Flow Rate

Size	Pattern No.	Code	Kv m3/h
1/2" (SF)	1200SF	126002	2.30
3/4" (SF)	1200SF	126003	2.48
1" (SF)	1200SF	126004	7.15
1.1/4" (SF)	1200SF	126005	15.08
1.1/2" (SF)	1200SF	126006	20.84
2" (SF)	1200SF	126007	28.89

Pegler Yorkshire reserve the right to change specifications

Materials

Component	Material
Body	GDCBr, BSEN 1982, CC 752S
Bonnet	EBB, BSEN 12164, CW 617N
Spindle	EBB, BSEN 12164, CW 617N
Disc	EBB, BSEN 12164, CW 617N
Gland	Packing Piece EBB, BSEN 12164, CW 617N
'O' rings	EPTO
Circlip	Carbon spring steel
Adjustment screw	EBB, BSEN 12164, CW 617N

Component	Material
Seals	EPTO
Handle	30% Glass filled nylon 66
Set screw	Brass

Technical Suitability

Steam	Water	Oil	Air	Gas	Inert Gas	Combustible†	Gas Corrosive††	Gas Oxygen
no	yes	no	no	no	no	no	no	no

Pegler Yorkshire reserve the right to change specifications

Gas application guide

Class 1. INERT Air, argon, carbon dioxide, helium, nitrogen

Class 2. COMBUSTIBLE Hydrogen, methane, natural gas, town gas

Class 3. CORROSIVE Chlorine, sulphur dioxide Class 4. OXYGEN

Class 1. INERT Air, argon, carbon dioxide, helium, nitrogen

† Valves are suitable for British Gas Applications Family Gases 1, 2 and 3.

†† Suitable in applications where moisture is completely absent.