

# Pegler Proflow

DZR Fixed orifice commissioning station. ISO 228 parallel thread, with flow measurement function

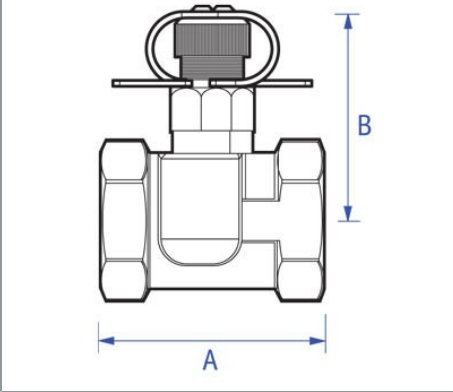
1250 LF Fixed metering station



## General Information

Size	Pattern No.	Pack 1 Qty	Pack 2 Qty	Code	Barcode	Price (£) each ex VAT
1/2" x DN15 (ULF)	1250ULF	1	20	<a href="#">126040</a>	5022050578310	£43.38
1/2" x DN15 (LF)	1250 LF	1	20	<a href="#">126090</a>	5022050563323	£43.38
1/2" x DN15 (MF)	1250MF	1	20	<a href="#">126049</a>	5022050578402	£43.38
1/2" x DN15 (SF)	1250SF	1	20	<a href="#">126091</a>	5022050563606	£43.38
3/4" x DN20 (SF)	1250SF	1	20	<a href="#">126092</a>	5022050563668	£65.45
1" x DN25 (SF)	1250SF	1	15	<a href="#">126093</a>	5022050563675	£68.14
1.1/4" x DN32 (SF)	1250SF	1	10	<a href="#">126094</a>	5022050563682	£80.72
1.1/2" x DN40 (SF)	1250SF	1	10	<a href="#">126095</a>	5022050563705	£97.47
2" x DN50 (SF)	1250SF	1	6	<a href="#">126096</a>	5022050563712	£118.58

1250 LF Fixed metering station



## Dimensions

Code	Description	A	B
126040	1/2" x DN15 1250ULF		
126090	1/2" x DN15 1250 LF	48	40 0.22
126049	1/2" x DN15 1250MF		
126091	1/2" x DN15 1250SF	48	40 0.22
126092	3/4" x DN20 1250SF	51	42 0.25
126093	1" x DN25 1250SF	63	46 0.39
126094	1.1/4" x DN32 1250SF	67	52 0.54
126095	1.1/2" x DN40 1250SF	71	52 0.59
126096	2" x DN50 1250SF	75	57 0.92

Pegler Yorkshire reserve the right to change specifications

## Flow Rate

Size	Pattern No.	Code	Kvs m3/h
1/2" x DN15 (ULF)	1250ULF	126040	0.18
1/2" x DN15 (LF)	1250 LF	126090	0.41
1/2" x DN15 (MF)	1250MF	126049	1.0
1/2" x DN15 (SF)	1250SF	126091	2.15
3/4" x DN20 (SF)	1250SF	126092	4.78
1" x DN25 (SF)	1250SF	126093	8.11
1.1/4" x DN32 (SF)	1250SF	126094	15.41
1.1/2" x DN40 (SF)	1250SF	126095	22.23
2" x DN50 (SF)	1250SF	126096	48.21

Pegler Yorkshire reserve the right to change specifications

## Materials

<b>Component</b>	<b>Material</b>
Body	GDCBr, BSEN 1982, CC 752S
Test point	DZR Brass
Seals	EPDM

Pegler Yorkshire Group Ltd, St Catherine's Ave, Doncaster, S Yorkshire, DN4 8DF  
Telephone: Phone +44 (0) 844 243 4400 Fax: +44 (0) 844 243 9870 Website: [www.pegler-yorkshire.co.uk](http://www.pegler-yorkshire.co.uk)  
Registered office : Pegler Yorkshire Group Ltd, St Catherine's Ave, Doncaster, S Yorkshire, DN4 8DF Company no : 00401507