

# Yorkshire

Reducer, larger end male copper for insertion into fitting x female copper

6GHDDW Reducer

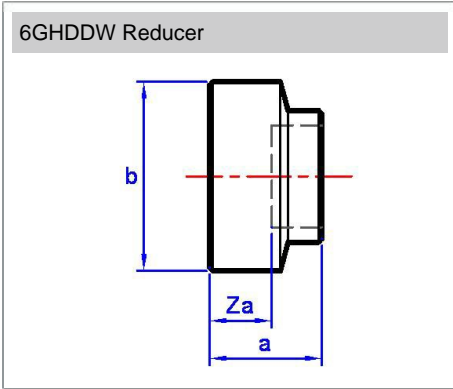


### General Information

Size	Pattern No.	Pack 1 Qty	Pack 2 Qty	Code	Barcode	Price (£) each ex VAT
8 x 6mm	6GHDDW	1	150	<a href="#">56134DW</a>	5022050590978	£24.48
15 x 8mm	6GHDDW	1	150	<a href="#">56140DW</a>	5022050590985	£22.21
22 x 15mm	6GHDDW	1	100	<a href="#">56147DW</a>	5022050591005	£21.73
28 x 15mm	6GHDDW	1	50	<a href="#">56150DW</a>	5022050591029	£39.18
28 x 22mm	6GHDDW	1	50	<a href="#">56152DW</a>	5022050591036	£39.18
42 x 28mm	6GHDDW	1	50	<a href="#">56160DW</a>	5022050591142	£59.26
42 x 35mm	6GHDDW	1	25	<a href="#">56161DW</a>	5022050591197	Disc(Out of Stock)
54 x 28mm	6GHDDW	1	20	<a href="#">56163DW</a>	5022050591166	£94.47
54 x 42mm	6GHDDW	1	20	<a href="#">56165DW</a>	5022050591180	£94.47

Discontinued 17/09/2021

6GHDDW Reducer



### Dimensions

Code	Description	a	Za
56134DW	8 x 6mm 6GHDDW	12	4
56140DW	15 x 8mm 6GHDDW	10	3
56147DW	22 x 15mm 6GHDDW	11	4
56150DW	28 x 15mm 6GHDDW	20	13
56152DW	28 x 22mm 6GHDDW	13	3
56160DW	42 x 28mm 6GHDDW	23	12
56163DW	54 x 28mm 6GHDDW	28	18
56165DW	54 x 42mm 6GHDDW	20	5

Pegler Yorkshire reserve the right to change specifications

### Guarantee

#### Pegler 25 Year Guarantee - Terms and Conditions

Products are subject to a 25 year guarantee that is between Pegler and the final purchaser of the product.

The guarantee is subject to proof of purchase being supplied.

This guarantee does not affect any statutory rights the consumer may have in law.

The guarantee covers manufacturing or material defects when installed in accordance with our instructions on specified tube materials and applications, and does not cover parts subject to normal wear and tear.

This product range has been designed for the use of homeowners, domestic and commercial applications and therefore the Guarantee is subject to the product being properly selected for their intended service conditions.

The guarantee is not applicable where the product is fitted contrary to the conditions in the fitting instructions.

This is reinforced where valves are covered by the European Pressure Equipment Directive (PED97/23/EC)

where Installation, Operating and Maintenance Instructions are supplied with each product and/or carton.

Provided it is installed correctly and receives adequate preventative maintenance it should give years of trouble-free service.

Abusive behaviour and accidental damage to the product are not covered by this guarantee.

The extent of this liability is limited to the cost of the replacement of the defective item and not to installation or consequential damages.

## **Care and Maintenance**

### **Care**

No regular aesthetic care is required for this product

### **Maintenance**

No regular maintenance is required for this product.

For any further help please contact the Service Support Team on: 0800 1560050.