

## Technical Data Sheet

Series: **Katana**

Article code: **77CR7575**

Description:

External shower mixer without shower set.

Materials:

Brass

Surface finish Chrome:

14 micron Nickel

0.3 microm Chrome

Finishings



CR



### Features

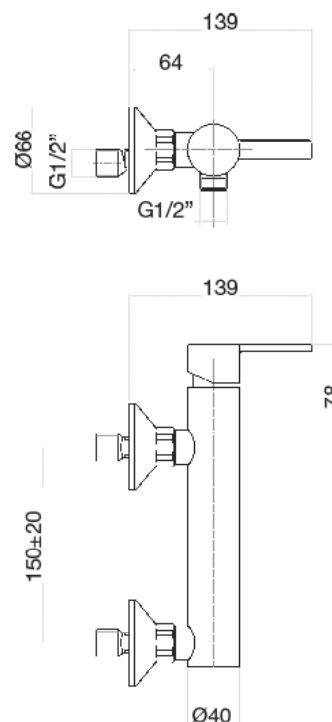


Cartridge diam. 25 mm with 2 ceramic disks, with 25° opening angle, and 90° mixing angle. We use only certified white lubricant into our mixers and cartridges.

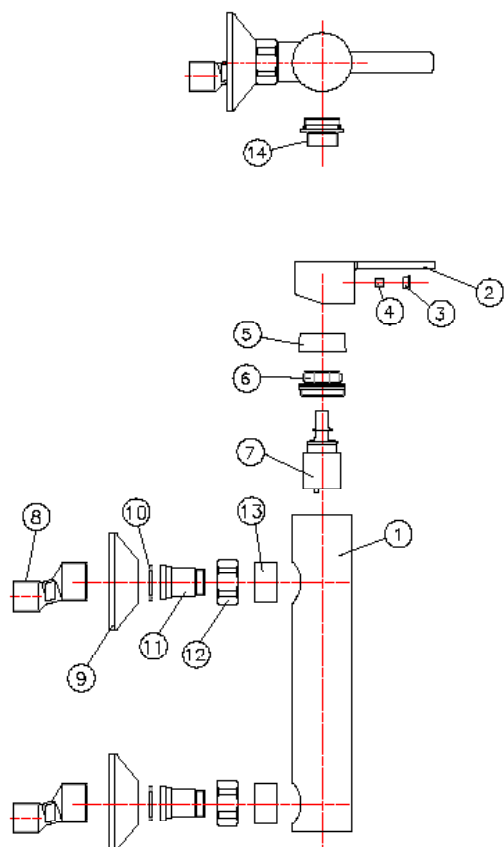


Forged solid brass wall connector with brass rosette  
Long ¾ nut for wall connection  
150 mm wheelbase body with adjusting wall connector from 130mm to 170mm

Suitable for electrical water heater



## Technical Data Sheet



01	Body	Brass
02	Lever	Zamac
03	Plaquette	Chrome ABS
04	Screw M5x6	Steel
05	Cap	Chrome ABS
06	Locking nut	Brass
07	Cartridge Ø25 mm	/
08	Excentric union	Brass
09	Plate	Brass
10	3/4 gasket	/
11	Seat 18x19	Brass
12	3/4 nut	Brass
13	Bushing	Brass
14	Lower connection	Brass

### Maintenance

Product care also includes regularly cleaning the aerator filter from impurities and/or lime scale. For correct decalcification, disassemble the aerator and place it into diluted vinegar (max concentration: 10% at 20°C) to remove lime scale deposits and/or dirt from the aerator filters. Leave it to soak for a few hours, and then rinse using only water.

### Cleaning recommendation for products and care of finish

**Chrome:** the chrome surfaces can be cleaned with a mild detergent or with neutral soap and water.

**Color finishes:** taps with colored finishes should be cleaned only with a cloth and water.

Never use detergents containing mineral acids (ex. hydrochloric acid), aggressive acids (ex. acetic acid), bases (ex. ammonia) phosphoric acid or other aggressive substances, as they can cause significant damage.



[www.fiore.it](http://www.fiore.it)