

Pegler Proflow

Venturi DZR double regulating valve (DRV). ISO7/1 parallel thread

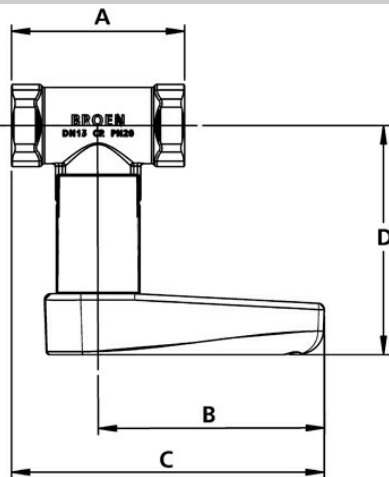
901S Venturi double regulating valve



General Information

Size	Pattern No.	Pack 1 Qty	Pack 2 Qty	Code	Barcode	Price (£) each ex VAT
1/2" (SL)	901SL	1	5	15042	5708537328707	£87.60
1/2" (SS)	901SS	1	5	15036	5708537328684	£87.60
3/4" (SL)	901SL	1	5	15043	5708537330748	£109.94
3/4" (SS)	901SS	1	5	15037	5708537330779	£109.94
1" (SS)	901SS	1	5	15038	5708537332841	£152.37
1.1/4" (SS)	901SS	1	2	15039	5708537342758	£196.93
1.1/2" (SS)	901SS	1	2	15040	5708537342864	£262.91
2" (SS)	901SS	1	0	15041	5708537342932	£466.36

901S Venturi double regulating valve



Dimensions

Code	Description	A	B	C	D
15042	1/2" 901SL	57	75	104	76
15036	1/2" 901SS	57	75	104	76
15043	3/4" 901SL	62	75	106	79
15037	3/4" 901SS	62	75	106	79
15038	1" 901SS	75	75	113	83
15039	1.1/4" 901SS	88	122	166	109
15040	1.1/2" 901SS	98	122	171	113
15041	2" 901SS	115	122	180	120

Pegler Yorkshire reserve the right to change specifications

Flow Rate

Size	Pattern No.	Code	Kvs m3/h	Kv m3/h	Loss Factor
1/2" (SL)	901SL	15042 -		1.62	-
1/2" (SS)	901SS	15036 -		2.10	-
3/4" (SL)	901SL	15043 -		4.26	-
3/4" (SS)	901SS	15037 -		4.79	-
1" (SS)	901SS	15038 -		12.80	-
1.1/4" (SS)	901SS	15039 -		13.28	-
1.1/2" (SS)	901SS	15040 -		23.30	-
2" (SS)	901SS	15041 -		35.30	-

Pegler Yorkshire reserve the right to change specifications

Guarantee

Pegler 5 Year Guarantee - Terms and Conditions

Products are subject to a 5 year guarantee that is between Pegler and the final purchaser of the product.

The guarantee is subject to proof of purchase being supplied.

This guarantee does not affect any statutory rights the consumer may have in law.

The guarantee covers manufacturing or material defects when installed in accordance with our instructions on specified tube materials and applications, and does not cover parts subject to normal wear and tear.

This product range has been designed for the use of homeowners, domestic and commercial applications and therefore the Guarantee is subject to the product being properly selected for their intended service conditions.

The guarantee is not applicable where the product is fitted contrary to the conditions in the fitting instructions.

This is reinforced where valves are covered by the European Pressure Equipment Directive (PED97/23/EC) where Installation, Operating and Maintenance Instructions are supplied with each product and/or carton.

Provided it is installed correctly and receives adequate preventative maintenance it should give years of trouble-free service.

Abusive behaviour and accidental damage to the product are not covered by this guarantee.

The extent of this liability is limited to the cost of the replacement of the defective item and not to installation or consequential damages.

Materials

Component	Material
Body	DZR brass
Spindle	DZR brass
Ball adjusting screw	DZR brass, chrome plated
Gaskets	PTFE
'O' rings	EPDM
Handle	Polyamide

Technical Suitability

Steam	Water	Oil	Air	Gas	Inert Gas	Combustible† Gas	Corrosive†† Gas	Oxygen
no	yes	no	no	no	no	no	no	no

Pegler Yorkshire reserve the right to change specifications

Gas application guide

Class 1. INERT Air, argon, carbon dioxide, helium, nitrogen

Class 2. COMBUSTIBLE Hydrogen, methane, natural gas, town gas

Class 3. CORROSIVE Chlorine, sulphur dioxide Class 4. OXYGEN

Class 1. INERT Air, argon, carbon dioxide, helium, nitrogen

† Valves are suitable for British Gas Applications Family Gases 1, 2 and 3.

†† Suitable in applications where moisture is completely absent.