

Pegler Proflow

differential pressure controller. ISO 7/1 parallel threads. 5-25 Kpa

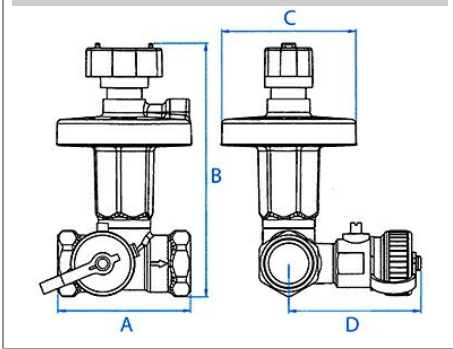
925 Differential pressure controller



General Information

| Size | Pattern No. | Pack 1 Qty | Pack 2 Qty | Code | Barcode | Price (£) each ex VAT |
|----------|-------------|------------|------------|---------------|---------------|-----------------------|
| DN15 925 | | 1 | 5 | <u>272001</u> | 5708537470000 | £272.16 |
| DN20 925 | | 1 | 4 | <u>272002</u> | 5708537470048 | £294.83 |
| DN25 925 | | 1 | 3 | <u>272003</u> | 5708537476583 | £340.20 |
| DN32 925 | | 1 | 3 | <u>272004</u> | 5708537476682 | £385.56 |
| DN40 925 | | 1 | 0 | <u>272005</u> | 5708537476736 | £453.59 |
| DN50 925 | | 1 | 0 | <u>272006</u> | 5708537520811 | £567.00 |

925 Differential pressure controller



Dimensions

| Code | Description | A | B | C | D |
|--------|-------------|-----|-----|-----|---------|
| 272001 | DN15 925 | 61 | 101 | 62 | 61 0.63 |
| 272002 | DN20 925 | 71 | 105 | 62 | 62 0.66 |
| 272003 | DN25 925 | 84 | 146 | 96 | 65 1.75 |
| 272004 | DN32 925 | 96 | 148 | 96 | 69 1.96 |
| 272005 | DN40 925 | 100 | 194 | 138 | 73 3.40 |
| 272006 | DN50 925 | 135 | 207 | 138 | 77 4.20 |

Pegler Yorkshire reserve the right to change specifications