

AQUADRAIN SQ TILE DRAIN 146MM/102MM (GRADE 316) BS

AQD-TG-146102-316-BS



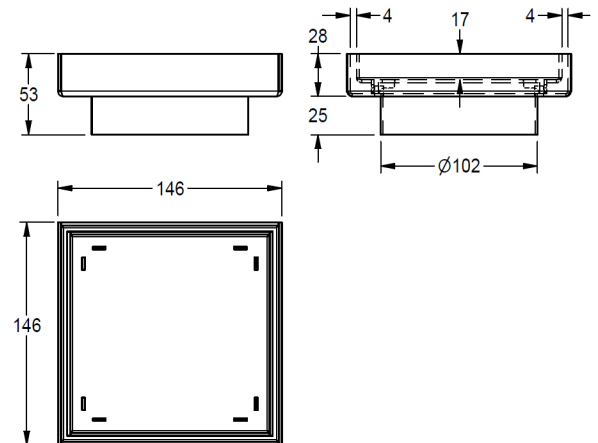
Specifications

Brand	AQUADRAIN
Range	AQUADRAIN
Product code	AQD-TG-146102-316-BS
Finish/Colour	BRUSHED STAINLESS ST
Product type	TILE DRAIN
Material	STAINLESS STEEL
Connection Size	Ø102MM

Technical Information

HEAVY DUTY TILE DRAIN
CAPACITY - 35 L/M
VERTICAL OUTLET DIA. 102 MM
STAINLESS STEEL GRADE 316
TILE INSERT DEPTH 17MM

Drawing



Box contents: TILE DRAIN