

.....

SPECIFICATION SHEET

COLLECTION: NURI

PRODUCT CODE: AX-NUR-149/RRK-CP



DESCRIPTION:

single lever
round exposed shower valve with integrated diverter
height adjustable rigid riser with single function shower handset
254mm round shower head
ceramic cartridge C-003-N35
minimum operating pressure 1.0 bar MP

FINISH:

Chrome

MINIMUM OPERATING PRESSURE:

1.0 bar MP



CONTACT

SALES: 01934 744466

AFTERSALES: 01934 745163

EMAIL: SALES@VADO.COM

WWW.VADO.COM/AXCES

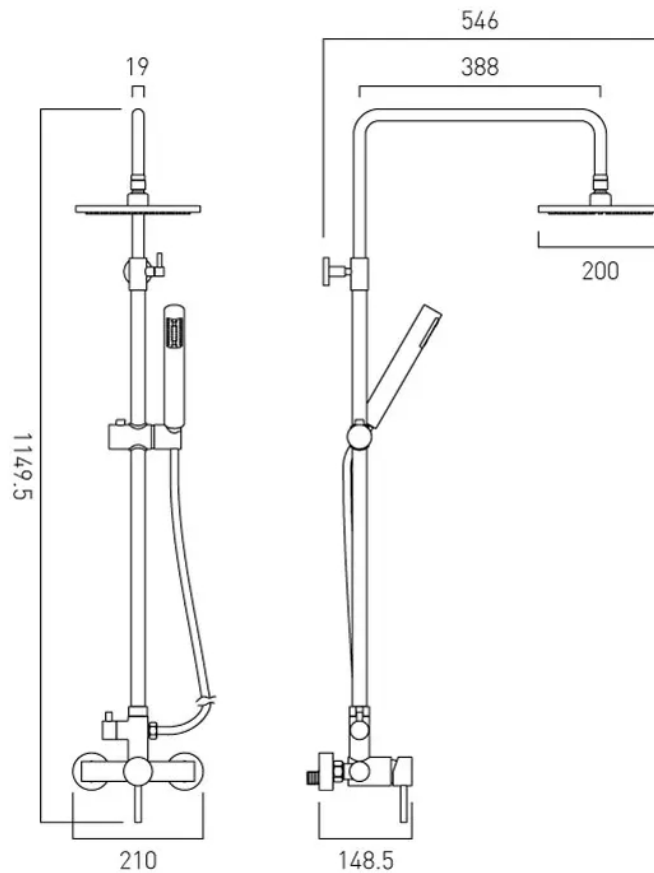
AXCES
by VADO

.....

TECHNICAL DRAWING

COLLECTION: NURI

PRODUCT CODE: AX-NUR-149/RRK-CP



CONTACT

SALES: 01934 744466

AFTERSALES: 01934 745163

EMAIL: SALES@VADO.COM

WWW.VADO.COM/AXCES

AXCES
by VADO