



TECHNICAL DATA

Operating range:

from 1 to 4.6 m³/h with head up to 3.76 metres.
Suitable for continuous operation.

Liquid temperature range:

from 0 °C to +35 °C.

Pumped liquid:

clean waters without fibres.

Max. immersion depth: 7 metres.

APPLICATIONS

Submersible pumps specifically designed for the recirculation of water in fountains and ponds, to create waterfalls and water features. Water features included in pack.

CONSTRUCTION FEATURES OF THE PUMP

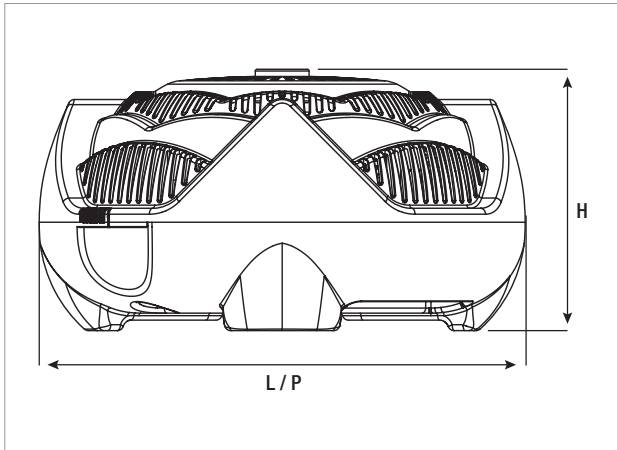
Wear-free ceramic components.
Double grid filtering system, without foam to reduce maintenance.
Impeller purposely designed to allow expulsion.

CONSTRUCTION FEATURES OF THE MOTOR

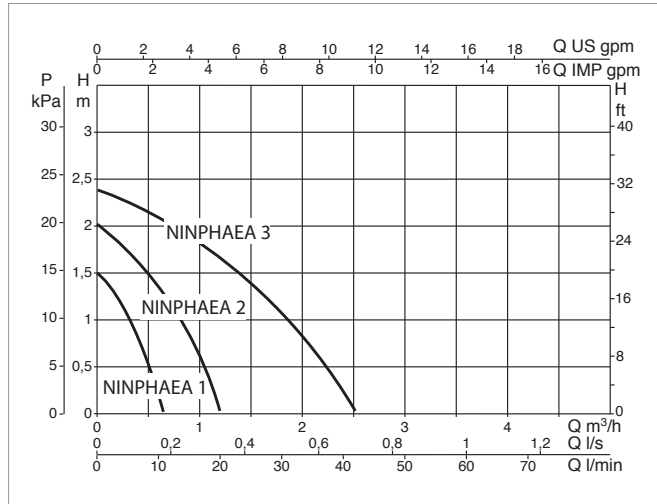
Submersible type continuous duty asynchronous motor.
Thermal protector to avoid motor overheating.
Wear-resistant motor shaft.

NINPHAEA 1/2/3 - POND AND FOUNTAIN SUBMERSIBLE PUMPS

Liquid temperature range: from 0 °C to +35 °C



The performance curves are based on kinematic viscosity values = 1 mm²/s and density equal to 1000 kg/m³. Curve tolerance according to ISO 9906.



MODEL	Q=m ³ /h	0	0,2	0,4	0,6	0,9	1,2	1,6	2	2,4	3	3,5	4	4,6
	Q=l/min	0	3	7	10	15	20	27	33	40	50	58	67	77
NINPHAEA 1	H (m)	1,5	1,2	0,78	0,2									
NINPHAEA 2	H (m)	2	1,85	1,6	1,3	0,81	0,1							
NINPHAEA 3	H (m)	2,38	2,3	2,2	2,07	1,85	1,6	1,26	0,76	0,21				

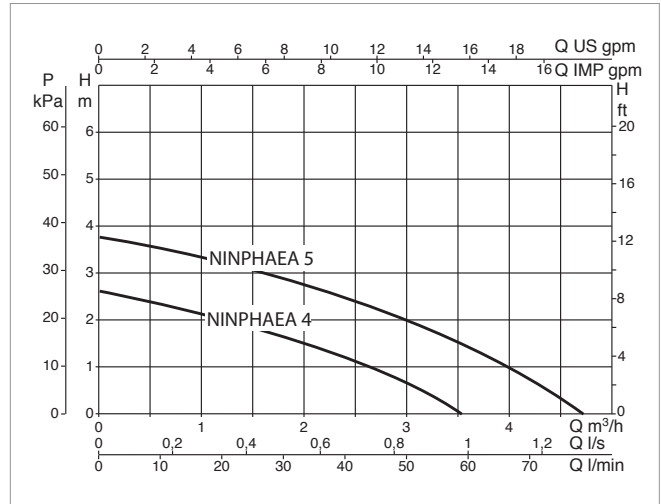
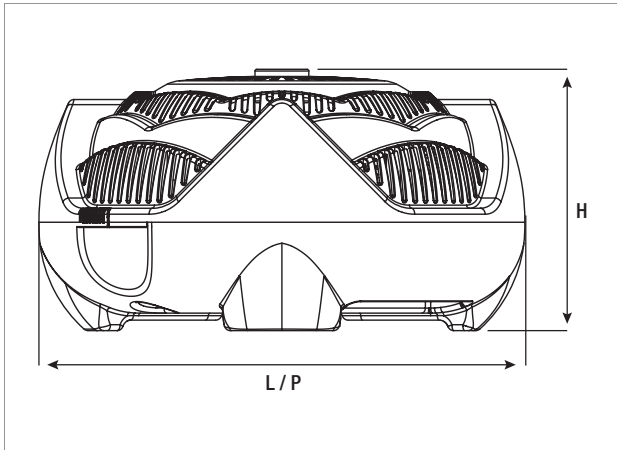
MODEL	ELECTRICAL DATA		
	POWER INPUT 50 Hz	P1 MAX kW	P2 NOMINAL
			kW
NINPHAEA 1	1X230 V~	13	10
NINPHAEA 2	1X230 V~	20	15
NINPHAEA 3	1X230 V~	45	35

MODEL	L	P	H	Ø	DNM GAS	CABLE	WEIGHT kg
NINPHAEA 1	20	20	11	¾"	¾"	10 mt.	1
NINPHAEA 2	22	22	12	¾"	¾"	10 mt.	1,5
NINPHAEA 3	24,5	24,5	13	¾"	¾"	10 mt.	1,8

POND PUMPS

NINPHAEA 4/5 - POND AND FOUNTAIN SUBMERSIBLE PUMPS

Liquid temperature range: from 0 °C to +35 °C



The performance curves are based on kinematic viscosity values = 1 mm²/s and density equal to 1000 kg/m³. Curve tolerance according to ISO 9906.

MODEL	Q=m³/h	0	0,2	0,4	0,6	0,9	1,2	1,6	2	2,4	3	3,5	4	4,6
	Q=l/min	0	3	7	10	15	20	27	33	40	50	58	67	77
NINPHAEA 4	H (m)	2,6	2,5	2,4	2,3	2,15	2	1,75	1,47	1,15	0,7	0,1		
NINPHAEA 5	H (m)	3,76	3,67	3,6	3,5	3,35	3,18	2,98	2,7	2,45	2	1,55	1	0,23

MODEL	ELECTRICAL DATA		
	POWER INPUT 50 Hz	P1 MAX kW	P2 NOMINAL kW
NINPHAEA 4	1X230 V~	75	55
NINPHAEA 5	1X230 V~	95	75

MODEL	L	P	H	Ø	DNM GAS	CABLE	WEIGHT kg
NINPHAEA 4	26,5	26,5	14	¾"	¾"	10 mt.	2,2
NINPHAEA 5	29	29	15	¾"	¾"	10 mt.	2,7

POND PUMPS