



### TECHNICAL DATA

**Operating range:**

from 1 to 14 m<sup>3</sup>/h with head up to 9.4 metres.  
Suitable for continuous operation.

**Liquid temperature range:**

from 0 °C to +35 °C.

**Pumped liquid:**

clean water, without fibres and with particles with maximum diam. 10 mm.

**Max. immersion depth:** 7 metres.

### APPLICATIONS

Submersible pumps specifically designed for the recirculation of water in ponds, to create waterfalls and water features.

### CONSTRUCTION FEATURES OF THE PUMP

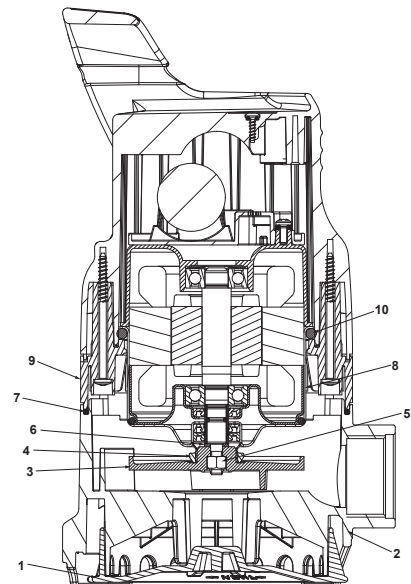
Hydro resistant technopolymer pump body, wear-free impellers, cover, and suction grid.  
Corrosion and oxidation resistant materials.

### CONSTRUCTION FEATURES OF THE MOTOR

Submersible type continuous duty asynchronous motor.  
Thermal overheating protection.  
Wear-resistant motor shaft.

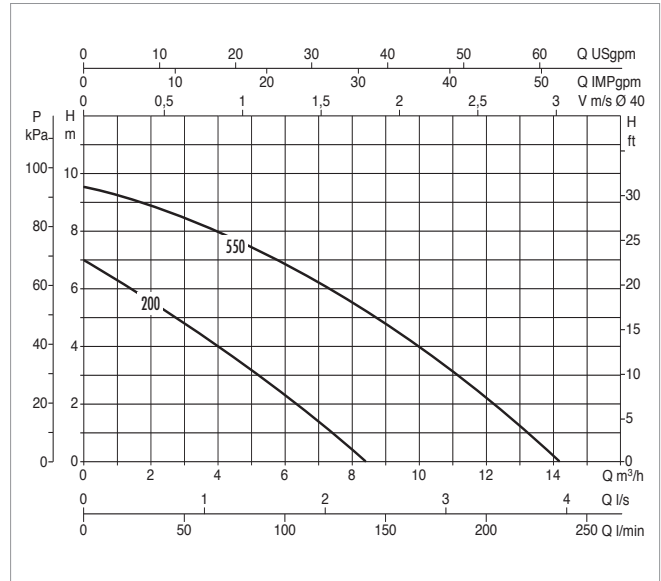
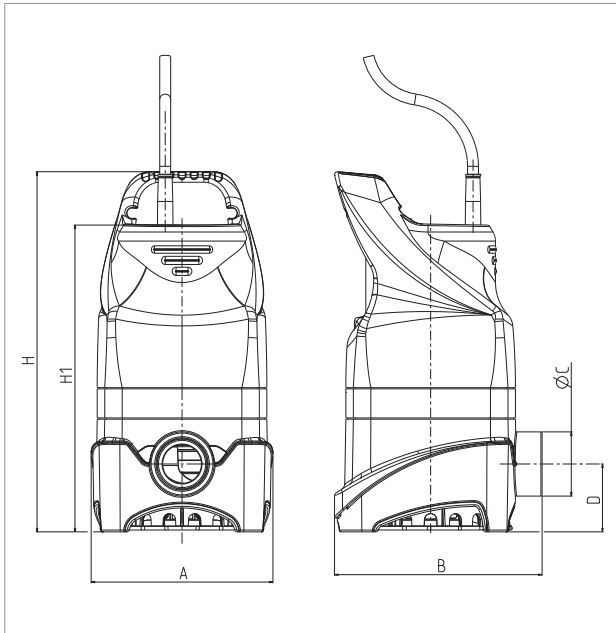
### MATERIALS

N.	PARTS		MATERIALS
1	FILTER RING NUT		TECHNOPOLYMER
2	FILTER BASE		TECHNOPOLYMER
3	IMPELLER		TECHNOPOLYMER
4	V. RING		NBR
5	NUT		AISI 316 STAINLESS STEEL DIN 982
6	WASHER		A2 STAINLESS STEEL
7	OR RING		NBR
9	MOTOR	CASE	ALUMINIUM
		ROTOR SHAFT	AISI 416 STAINLESS STEEL UNI EN 10088-1 X12CRS13
10	BODY		TECHNOPOLYMER
11	OR RING		NBR



# NOVAPOND - POND AND FOUNTAIN SUBMERSIBLE PUMPS

Liquid temperature range: from 0 °C to +35 °C



The performance curves are based on kinematic viscosity values = 1 mm²/s and density equal to 1000 kg/m³. Curve tolerance according to ISO 9906.

MODEL	Q=m³/h	0	1	2	3	4,5	6	7,5	9	10,5	12	14
	Q=l/min	0	17	33	50	75	100	125	150	175	200	233
<b>NOVAPOND 200 M</b>	H (m)	6,98	6,35	5,55	4,75	3,6	2,2	0,65				
<b>NOVAPOND 550 M</b>		9,4	9,15	8,95	8,58	7,86	6,9	5,9	4,8	3,53	2,1	0,44

MODEL	ELECTRICAL DATA				
	POWER INPUT 50 Hz	P1 MAX kW	P2 NOMINAL		In A
			kW	HP	
<b>NOVAPOND 200 M</b>	1 x 230V ~	280	0,2	0,28	1,3
<b>NOVAPOND 550 M</b>	1 x 230V ~	750	0,55	0,75	3,3

MODEL	A	B	Ø C	D	H	H1	DNM GAS	PACKING DIMENSIONS			CABLE	VOLUME (m³)	WEIGHT kg
								L/A	L/B	H			
<b>NOVAPOND 200 M</b>	150	170	53	56	300	255	1" 3/4	193	193	375	10 mt.	0,010	4,3
<b>NOVAPOND 550 M</b>	150	170	53	56	300	285	1" 3/4	193	193	375	10 mt.	0,010	6,2

POND PUMPS