

-  Clean water
-  Domestic use
-  Civil use



## PERFORMANCE RANGE

- Flow rate up to **160 l/min** (9.6 m<sup>3</sup>/h)
- Head up to **56 m**

## APPLICATION LIMITS

- Manometric suction lift up to **7 m**
- Liquid temperature between **-10 °C** and **+90 °C**
- Ambient temperature up to **+40 °C**
- Max. working pressure:
  - **6 bar** for CP 100-130-132-150-158
  - **10 bar** for CP 170-190-200
- Continuous service **S1**

## CONSTRUCTION AND SAFETY STANDARDS

EN 60335-1  
IEC 60335-1  
CEI 61-150

EN 60034-1  
IEC 60034-1  
CEI 2-3



EU REGULATION N. 547/2012

## CERTIFICATIONS

Company with management system certified DNV  
ISO 9001: QUALITY



## INSTALLATION AND USE

Suitable for use with clean water and with liquids that are not chemically aggressive towards the materials from which the pump is made.

Because they are reliable and easy to use these pumps are widely used in domestic and civil applications such as the distribution of water in combination with small and medium sized pressure tanks, for transferring liquids and for the irrigation of gardens and orchards.

Installation needs to be undertaken in well ventilated closed areas or anyway protected from bad weather.

## PATENTS - TRADE MARKS - MODELS

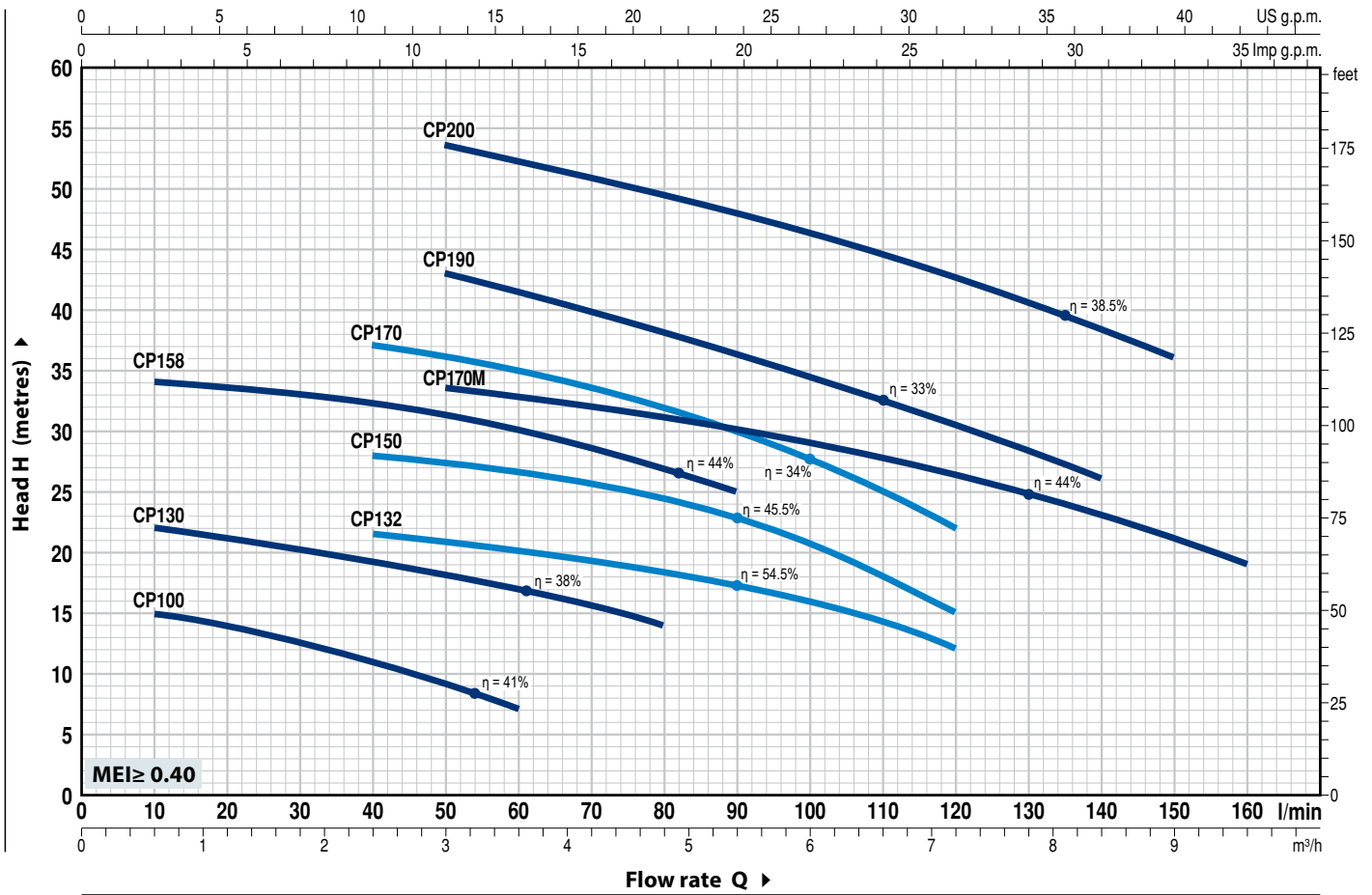
- Registered Trade Mark n. 0001516350 <sup>CPm158</sup>
- Registered EU Design n. 002098434

## OPTIONS AVAILABLE ON REQUEST

- Special mechanical seal
- Other voltages or 60 Hz frequency
- IP X5 class protection for CP 170, CP 170M

### CHARACTERISTIC CURVES AND PERFORMANCE DATA

50 Hz n= 2900 min<sup>-1</sup> HS= 0 m



MODEL		POWER (P <sub>2</sub> )			Q	Flow rate (l/min)																		
Single-phase	Three-phase	kW	HP	▲		0	0.6	1.2	1.8	2.4	3.0	3.6	4.2	4.8	5.4	6.0	6.6	7.2	7.8	8.4	9.0	9.6		
CPm 100	CP 100	0.25	0.33	IE2	0	10	20	30	40	50	60	70	80	90	100	110	120	130	140	150	160			
CPm 130	CP 130	0.37	0.50	IE3	16	15	14	12.5	11	9	7													
CPm 132	CP 132	0.55	0.75		23	22	21	20	19	18	17	15.5	14											
CPm 150	CP 150	0.75	1		23	-	22.5	22	21.5	21	20.5	19.5	18.5	17.5	16	14	12							
CPm 158	CP 158	0.75	1		29.5	-	29	28.5	28	27.5	26.5	26	24.5	23	21	18	15							
CPm 170	CP 170	1.1	1.5		36	34	33.5	33	32.5	31.5	30	28.5	27	25										
CPm 170M	CP 170M	1.1	1.5		41	-	-	38	37	36	35	33.5	32	30	27.5	25	22							
CPm 190	CP 190	1.5	2		36	-	-	35	34.5	33.5	33	32	31	30	29	28	26.5	25	23	21	19			
CPm 200	CP 200	2.2	3		48	-	-	46	44.5	43	41.5	40	38	36	34.5	32.5	30.5	28	26					
					56	-	-	55	54.5	53.5	52	51	49.5	48	46	44.5	42.5	40.5	38.5	36				

Q = Flow rate H = Total manometric head HS = Suction height

Tolerance of characteristic curves in compliance with EN ISO 9906 Grade 3B.

▲ Three-phase motor efficiency class (IEC 60034-30-1)

## POS. COMPONENT CONSTRUCTION CHARACTERISTICS

1	<b>PUMP BODY</b>	Cast iron with an Epoxy Electro Coating treatment, with threaded ports in compliance with ISO 228/1
2	<b>BODY BACKPLATE</b>	Stainless steel AISI 304 (cast iron for CP 170-170M-190-200)
3	<b>IMPELLER</b>	Stainless steel AISI 304
4	<b>MOTOR SHAFT</b>	Stainless steel AISI 431

5	MECHANICAL SEAL	<i>Pump</i>	<i>Seal</i>	<i>Shaft</i>	<i>Materials</i>		
		<i>Model</i>	<i>Model</i>	<i>Diameter</i>	<i>Stationary ring</i>	<i>Rotational ring</i>	<i>Elastomer</i>
		CP 100-130-132	AR-12	Ø 12 mm	Ceramic	Graphite	NBR
		CP 150-158	AR-14	Ø 14 mm	Ceramic	Graphite	NBR
		CP 170-170M-190-200	FN-18	Ø 18 mm	Graphite	Ceramic	NBR

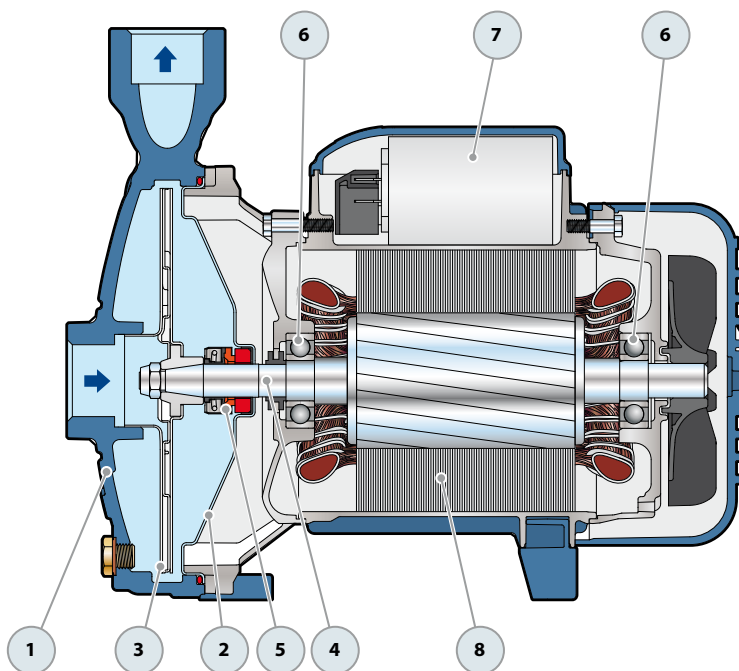
6	BEARINGS	<i>Pump</i>	<i>Model</i>
		CP 100-130-132	6201 ZZ / 6201 ZZ
CP 150-158	6203 ZZ / 6203 ZZ		
CP 170-170M	6204 ZZ / 6204 ZZ		
CP 190-200	6304 ZZ / 6204 ZZ		

7	<b>CAPACITOR</b>	EN 60252-1/A1		
---	------------------	---------------	--	--

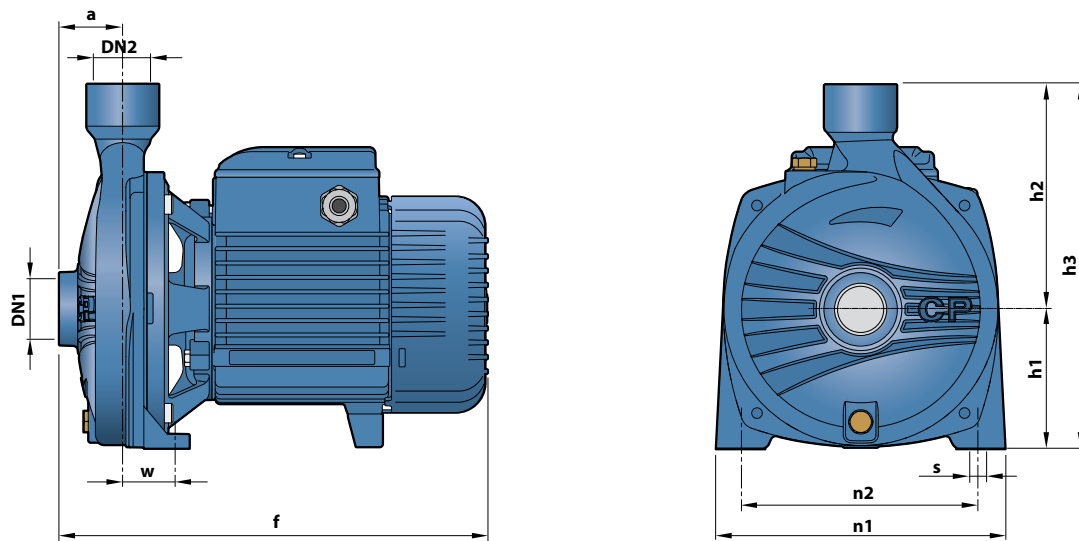
8 **ELECTRIC MOTOR** CPm: single-phase 230 V - 50 Hz with thermal overload protector incorporated into the winding.  
 CP: three-phase 230/400 V - 50 Hz.

➔ **The three-phase pumps are fitted with high performance motors up to P<sub>2</sub>=0.25 kW in class IE2 and from P<sub>2</sub>=0.37 kW in class IE3 (IEC 60034-30-1)**

- Insulation: class F
- Protection: IP X4



## DIMENSIONS AND WEIGHT



MODEL		PORTS		DIMENSIONS mm									kg	
Single-phase	Three-phase	DN1	DN2	a	f	h3	h1	h2	n1	n2	w	s	1~	3~
CPm 100	CP 100	1"	1"	42	257	205	82	123	165	135	38	11	6.8	6.9
CPm 130	CP 130												7.7	7.7
CPm 132	CP 132												8.4	8.4
CPm 150	CP 150												12.0	12.0
CPm 158	CP 158												12.1	12.0
CPm 170 - 170M	CP 170 - 170M	1 1/4"	1"	51	367	260	110	150	206	165	44.5	11	17.8	17.2
CPm 190	CP 190												21.5	21.5
CPm 200	CP 200												24.2	24.2
				47.5	364	290	115	175	242	206	36.5			
					384									

## ABSORPTION

MODEL	VOLTAGE		
Single-phase	230 V	240 V	110 V
CPm 100	1.9 A	1.55 A	3.8 A
CPm 130	3.2 A	2.9 A	6.4 A
CPm 132	3.9 A	3.7 A	7.8 A
CPm 150	5.7 A	5.4 A	11.4 A
CPm 158	6.0 A	5.8 A	12.0 A
CPm 170 - 170M	7.8 A	7.2 A	15.6 A
CPm 190	11.0 A	10.0 A	22.0 A
CPm 200	12.8 A	11.7 A	-

MODEL	VOLTAGE			
Three-phase	230 V	400 V	240 V	415 V
CP 100	1.7 A	0.95 A	1.6 A	0.9 A
CP 130	2.0 A	1.15 A	1.8 A	1.05 A
CP 132	2.3 A	1.3 A	2.3 A	1.3 A
CP 150	4.15 A	2.4 A	4.0 A	2.3 A
CP 158	4.35 A	2.5 A	4.25 A	2.45 A
CP 170 - 170M	5.2 A	3.0 A	5.1 A	2.9 A
CP 190	7.5 A	4.3 A	6.9 A	4.0 A
CP 200	9.3 A	5.4 A	9.0 A	5.2 A

## CAPACITORS

MODEL	CAPACITANCE	
Single-phase	230 V or 240 V	110 V
CPm 100	10 µF - 450 VL	25 µF - 250 VL
CPm 130	10 µF - 450 VL	25 µF - 250 VL
CPm 132	14 µF - 450 VL	25 µF - 250 VL
CPm 150	20 µF - 450 VL	60 µF - 300 VL
CPm 158	20 µF - 450 VL	60 µF - 250 VL
CPm 170 - 170M	25 µF - 450 VL	60 µF - 250 VL
CPm 190	45 µF - 450 VL	80 µF - 250 VL
CPm 200	50 µF - 450 VL	-

## PALLETIZATION

MODEL		GROUPAGE	CONTAINER
Single-phase	Three-phase	n. pumps	n. pumps
CPm 100	CP 100	96	144
CPm 130	CP 130	96	144
CPm 132	CP 132	96	144
CPm 150	CP 150	70	112
CPm 158	CP 158	70	112
CPm 170	CP 170	50	70
CPm 170M	CP 170M	50	70
CPm 190	CP 190	36	54
CPm 200	CP 200	36	54