

Pegler Valve

Ballofix isolating ball valve - angle pattern. Compression ends. Screwdriver operation

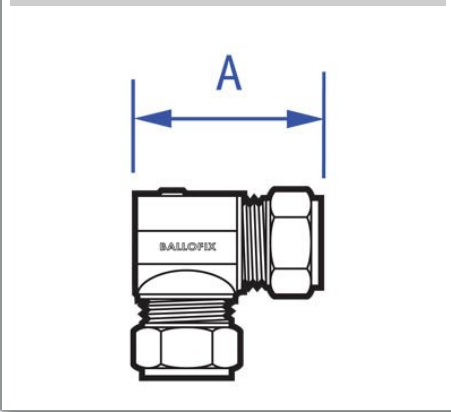
3380ZA Ball valve



General Information

| Size | Pattern No. | Pack 1 Qty | Pack 2 Qty | Code | Barcode | Price (£) each ex VAT |
|-----------|-------------|------------|------------|-------|---------------|-----------------------|
| 15 x 15mm | | 1 | 10 | 13324 | 5708537391695 | £32.81 |

3380ZA Ball valve



Dimensions

| Code | Description | A |
|-------|------------------|---------|
| 13324 | 15 x 15mm 3380ZA | 23.0.12 |

Pegler Yorkshire reserve the right to change specifications

Materials

| Component | Material |
|------------------|--------------------------|
| Body | DZR brass |
| Ball | DZR brass, nickel plated |
| Compression nut | Forged brass |
| Compression cone | Brass |

Technical Suitability

| Steam | Water | Oil | Air | Gas | Inert Gas | Combustible† | Gas Corrosive†† | Gas Oxygen |
|-------|-------|-----|-----|-----|-----------|--------------|-----------------|------------|
| no | yes | no | no | no | no | no | no | no |

Pegler Yorkshire reserve the right to change specifications

Gas application guide

Class 1. INERT Air, argon, carbon dioxide, helium, nitrogen

Class 2. COMBUSTIBLE Hydrogen, methane, natural gas, town gas

Class 3. CORROSIVE Chlorine, sulphur dioxide Class 4. OXYGEN

Class 1. INERT Air, argon, carbon dioxide, helium, nitrogen

† Valves are suitable for British Gas Applications Family Gases 1, 2 and 3.

†† Suitable in applications where moisture is completely absent.