

STUART

Diver 35 B & Diver 45 B Submersible Pumps

Designed to lift clean water where high pressure is required and comes with an externally fitted floating switch to protect against running dry.

Supplied with a Boostamatic Control Module, located remotely, to provide automatic control.

Diver Boostamatic pumps feature a stainless steel motor shell and are compact and easy to install.

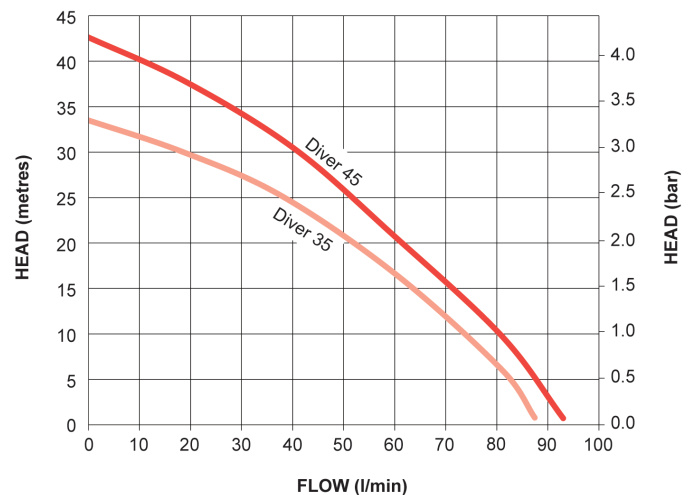


Features

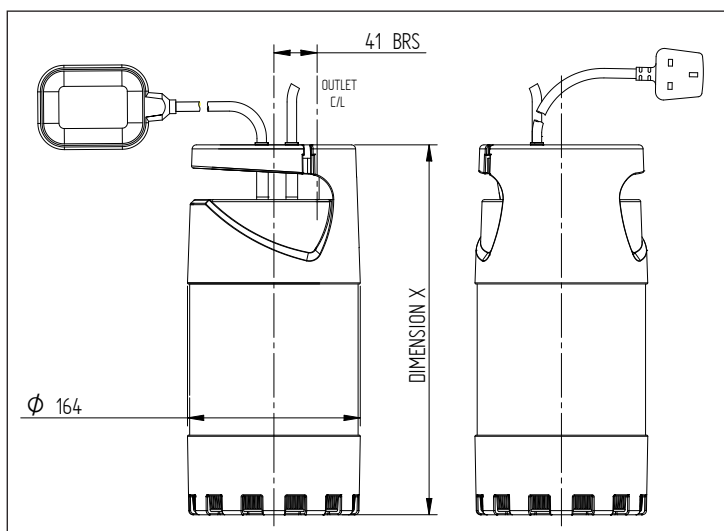
- Submersible pump
- Flow rates up to 94 litres per minute and heads up to 45 metres
- Suitable for clean water and high head requirements
- Automatic and manual operation modes
- Continuously rated
- 1 year guarantee

Application

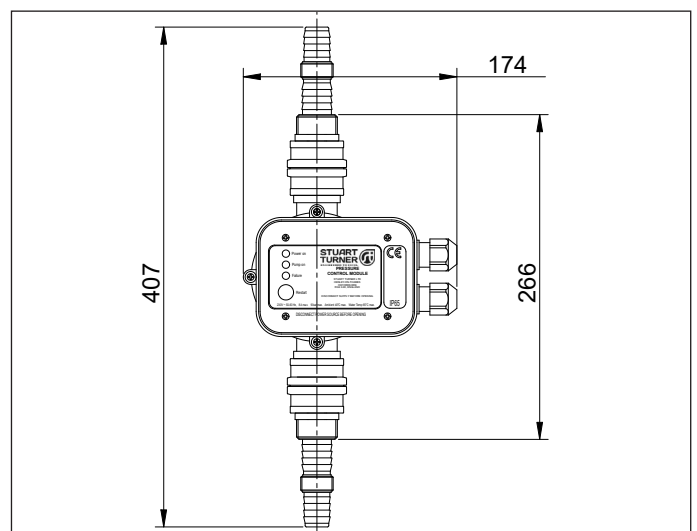
- These pumps are ideal for clean water applications where pressure is needed, such as sprinklers or pumping up to storage tanks
- Boostamatic control module options are ideal for irrigation or water supply applications where the pump can be located in a well or pond for example.



Pump Model		Diver 35 B 50 Hz 46611	Diver 45 B 50 Hz 46612
General	Guarantee	1 year	
	Approvals	CE	
Features	Pump type	Submersible	
	Pump control	Float Switch	
	Mechanical seal	Nitrile / Carbon / Ceramic	
	Automatic and manual mode	✓	✓
	Automatic float switch	✓	✓
	Noise	35 dB(A)	35 dB(A)
Materials	Pump body	Polypropylene / stainless steel	
	Impeller	Plastic	
Performance	Maximum head (closed valve)	35 metres	45 metres
	Maximum immersion depth	8 metres	
	Minimum immersion depth	300 mm	
	Performance @ 20 l/min	29 metres	35 metres
	Performance @ 60 l/min	15 metres	21 metres
	Maximum flow	88 l/min	94 l/min
	Min / Max water temperature	Min 4 °C / Max 35 °C	
Connections	Pump connections	G 1 female	
	Hose Connector	25 mm male	
Motor	Type	Induction, auto-reset thermal trip	
	Duty rating	Continuous (S1)	
Electrical	Power supply / phase / frequency	230 V a.c. / 1 / 50 Hz	
	Current (full load)	3.7 Amps	4.7 Amps
	Power consumption	774 Watts	1012 Watts
	Fuse rating	10 Amps	
	Power cable (pre-wired)	15 metres	
Physical	Enclosure protection	IPX8	
	Diameter	164 mm	
	Height (excluding hoses)	350 mm	387 mm
	Weight (including fittings)	8.7 Kg	9.2 Kg



Pump Description	Dim. 'X'
Diver 35 Boostamatic	350 mm
Diver 45 Boostamatic	387 mm



Diver 35 Boostamatic Control Module
Diver 45 Boostamatic Control Module

Stuart Turner Limited reserves the right to amend specifications without notice.