

# EUROCOM

## MULTISTAGE CENTRIFUGAL PUMPS



### TECHNICAL DATA

**Operating range:**

from 10 to 120 litres/min. with head up to 72 m.

**Liquid quality requirements:** clean, free from solid or abrasive contaminants, non-viscous, non-aggressive, uncrystallised and chemically neutral, close to the properties of water.

**Liquid temperature range:**

for domestic use: from 0°C to +35°C (EN 60335-2-41)

for other use: from 0°C to +40°C

**Maximum ambient temperature:** +40°C

**Maximum operating pressure:** 6 bar (600 kPa)

**Installation:** fixed or portable in a horizontal position.

**Motor protection rating:** IP 44

**Terminal block protection rating:** IP 55

**Insulation class:** F

**Standard input voltage:** single phase 220/240 V - 50 Hz

three phase 230/400 V - 50 Hz

### APPLICATIONS

Multi-stage centrifugal pump with horizontal shaft, featuring extremely quiet operation suitable for domestic water supply and pressurisation, irrigation of gardens and general water movement.

### CONSTRUCTIONAL FEATURES OF THE PUMP

Pump body in technopolymer. Motor support in die cast aluminium, with seal holder cover in AISI 304 stainless steel. Carbon/ceramic mechanical seal. Rotor shaft in AISI 304 stainless steel. Impeller and diffuser bodies and diffuser in technopolymer. Stainless steel wear ring.

### CONSTRUCTIONAL FEATURES OF THE MOTOR

Asynchronous, continuous service motor.

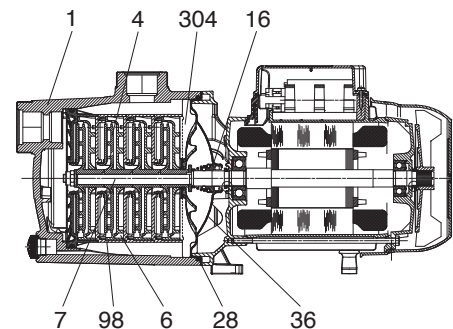
Incorporated thermo-amperometric protection and permanently inserted capacitor in the single phase version.

Overload protection to be provided by the user for the three-phase version.

### MATERIALS

N°	PARTS*	MATERIALS
1	PUMP BODY	TECHNOPOLYMER
4	IMPELLER	TECHNOPOLYMER
6	DIFFUSER	TECHNOPOLYMER
7	SHAFT WITH ROTOR	AISI 304 STAINLESS STEEL X5CrNi 1810 UNI 6900/71
16	MECHANICAL SEAL	CARBON/CERAMIC
28	OR GASKET	NBR
36	SEAL HOLDER COVER	AISI 304 STAINLESS STEEL X5CRNI 1810 UNI 6900/71
98	DIFFUSER BODY	TECHNOPOLYMER
304	REAR DISC	TECHNOPOLYMER

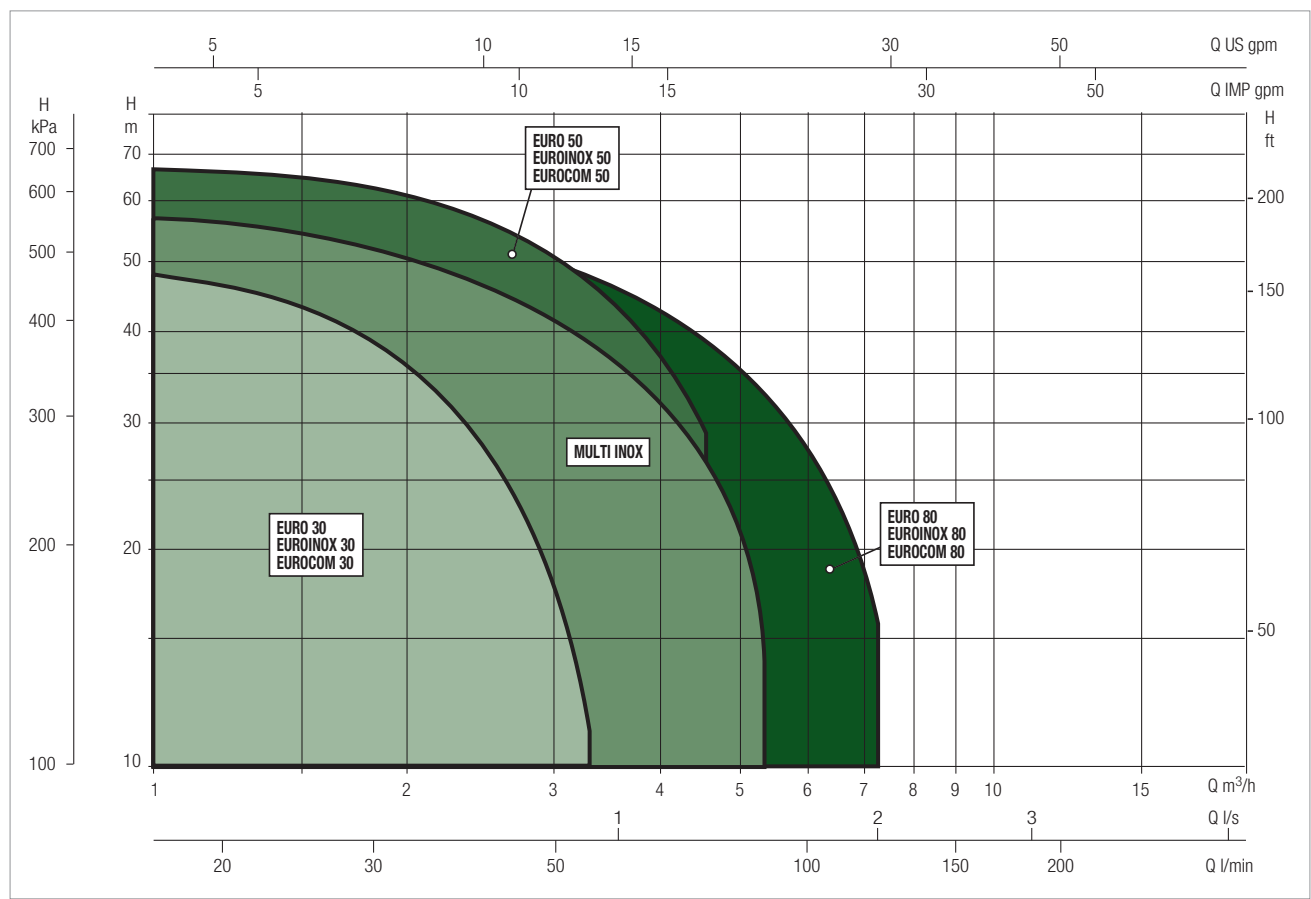
\* In contact with liquid



### PERFORMANCE RANGE

The performance curves are based on kinematic viscosity values = 1 mm<sup>2</sup>/s and density equivalent to 1000 kg/m<sup>3</sup>. Curve tolerance according to ISO 9906.

### GRAPHIC SELECTION TABLE

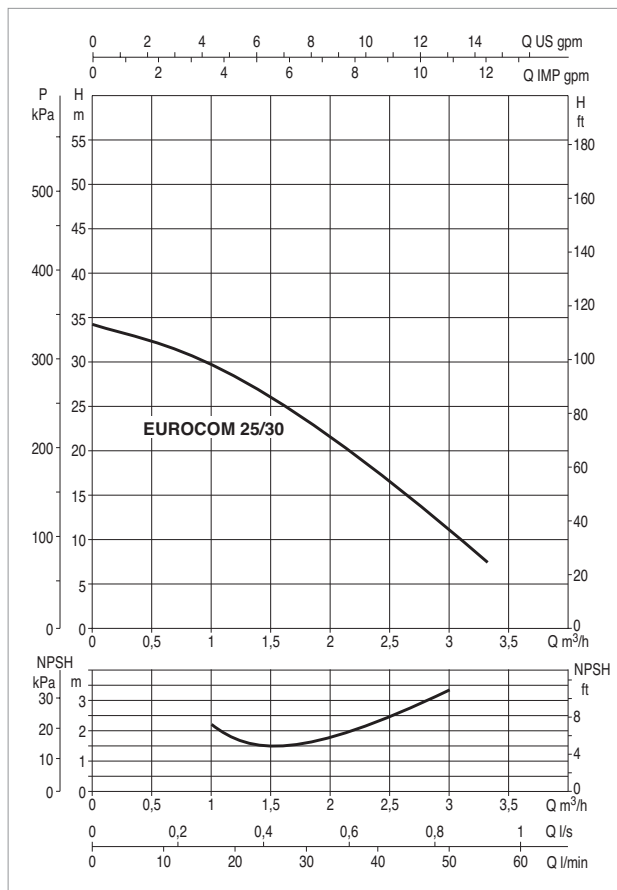
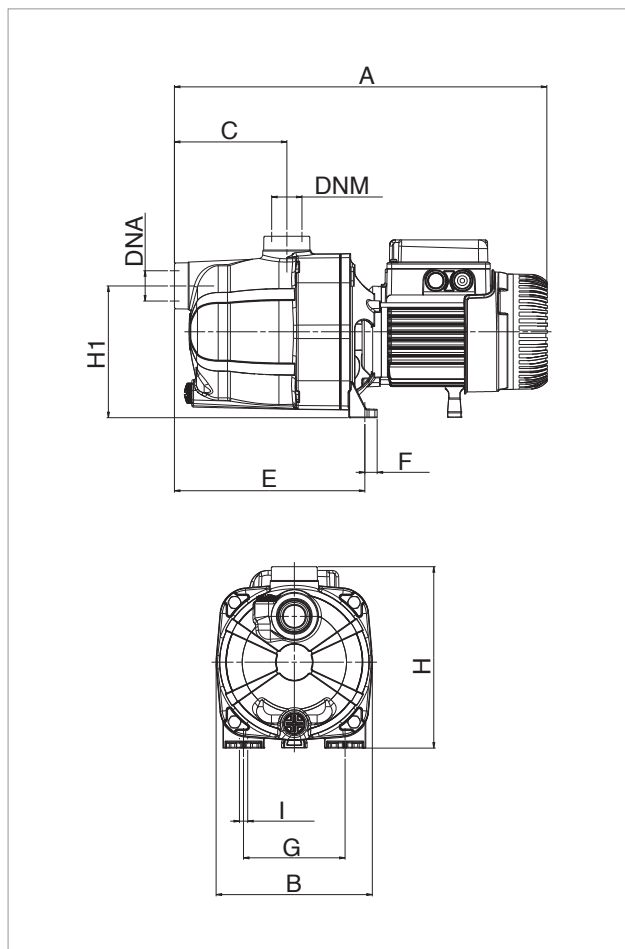


### EUROCOM SELECTION TABLE

MODEL	Q=m <sup>3</sup> /h	0	0.6	1.2	1.8	2.4	3.0	3.6	4.2	4.8	6	7.2
	Q=l/min	0	10	20	30	40	50	60	70	80	100	120
EUROCOM 25/30 M	H (m)	34.4	31.7	28.3	23.5	17.5	11					
EUROCOM 30/50 M		42.2	40.2	38.2	36.2	33.8	30	24.8	19.5	14		
EUROCOM 40/50 M		57.7	55.3	52.8	50.1	47.1	42.7	35.8	28	19.2		
EUROCOM 40/50 T		57.7	55.3	52.8	50.1	47.1	42.7	35.8	28	19.2		
EUROCOM 30/80 T		47		46.5	45	43.5	41	38	34.5	31	23	12

# EUROCOM 30-SELF-PRIMING MULTISTAGE CENTRIFUGAL PUMPS CENTRIFUGAL ELECTRIC PUMPS FOR DOMESTIC WATER SUPPLY

Liquid temperature range pumped: from 0 °C to +35 °C - Maximum ambient temperature: +40°C



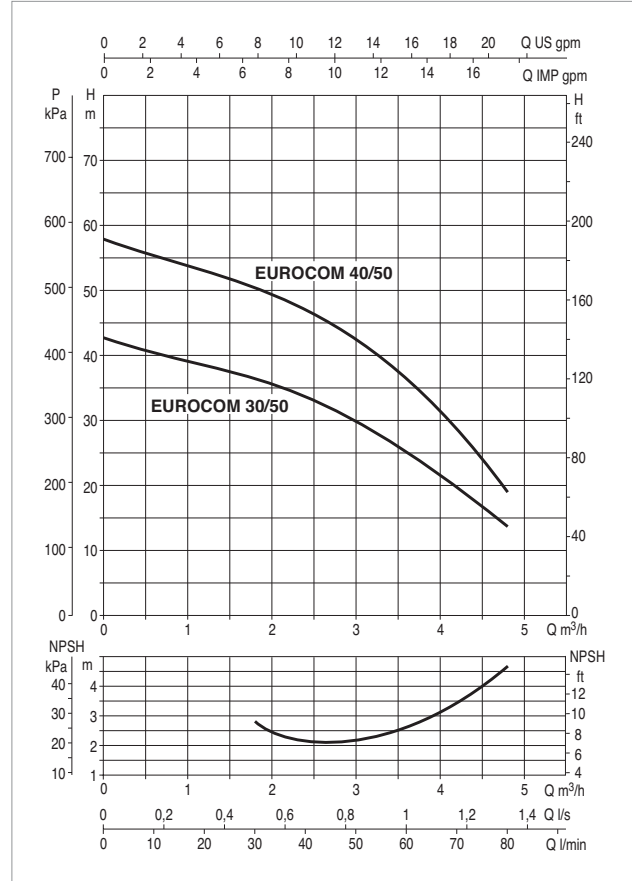
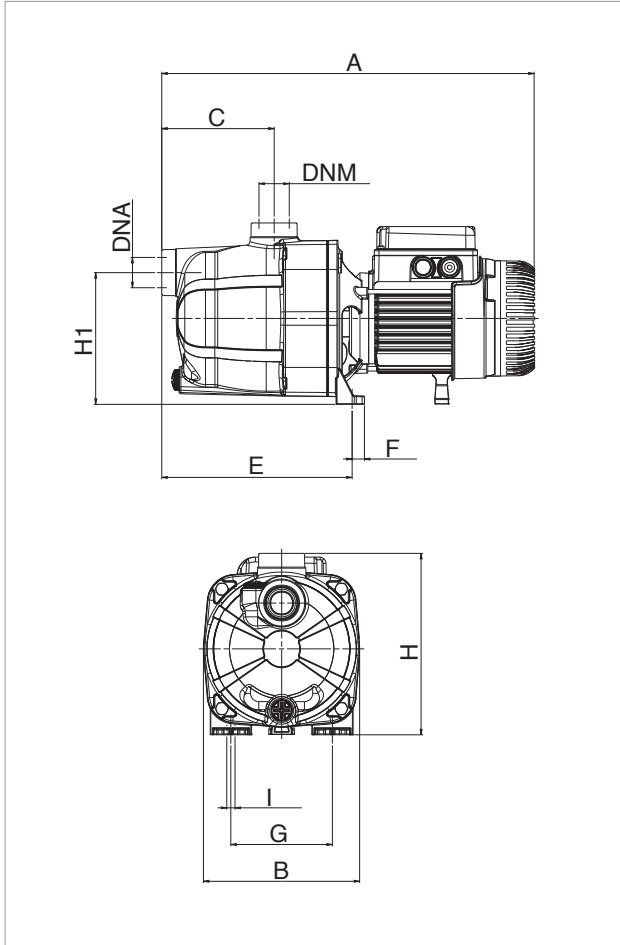
The performance curves are based on the kinematic viscosity values = 1 mm²/s and density equivalent to 1000 kg/m³. Curve tolerance according to ISO 9906.

MODEL	ELECTRICAL DATA							
	N° IMPELLER	POWER SUPPLY 50 Hz	P1 MAX KW	P2 NOMINAL		In A	CAPACITOR	
				kW	HP		µF	Vc
EUROCOM 25/30 M	3	1x220-240V ~	0.52	0.37	0.5	2.4	10	450

MODEL	A	B	C	E	F	G	I Ø	H	H1	H2	DNA GAS	DNM GAS	PACK DIMENSIONS			VOLUME (mc)	GROSS WEIGHT Kg	
													L/A	L/B	H		M	T
EUROCOM 25/30 M	406	170	122	208	14	111	9	198	144	-	1"	1"	470	240	240	0.027	8	8

# EUROCOM 50-SELF-PRIMING MULTISTAGE CENTRIFUGAL PUMPS CENTRIFUGAL ELECTRIC PUMPS FOR DOMESTIC WATER SUPPLY

Liquid temperature range pumped: from 0 °C to +35 °C - Maximum ambient temperature: +40°C



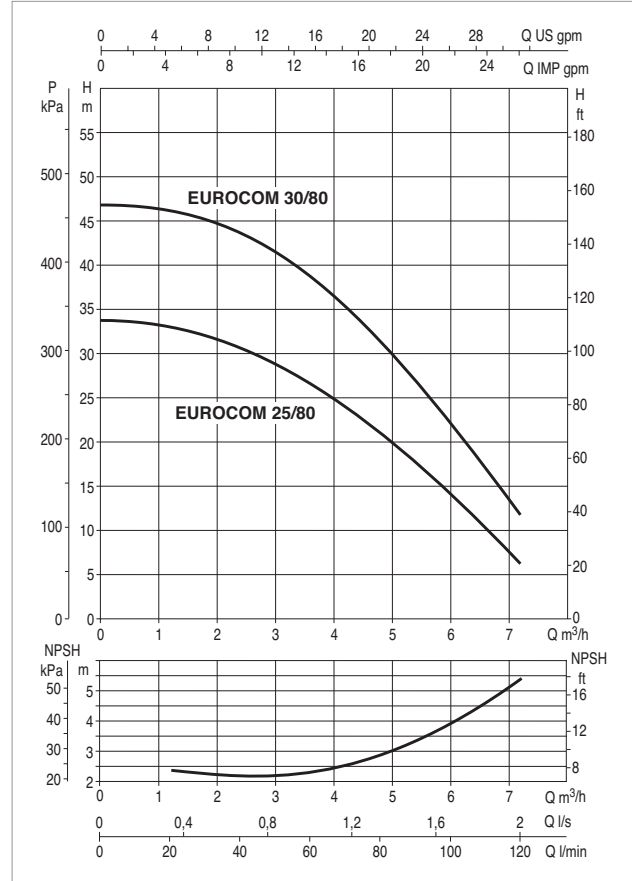
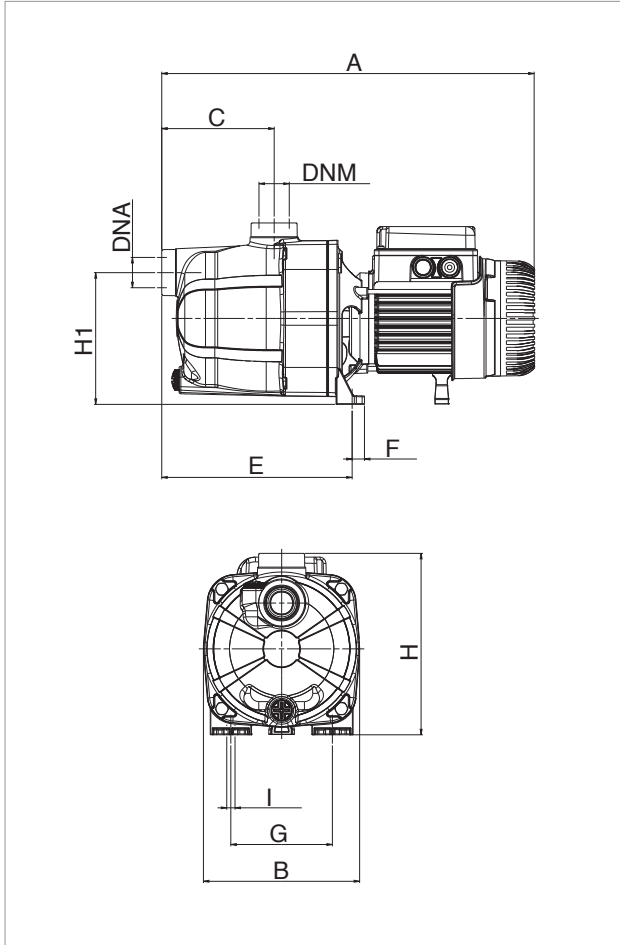
The performance curves are based on the kinematic viscosity values = 1 mm²/s and density equivalent to 1000 kg/m³. Curve tolerance according to ISO 9906.

MODEL	ELECTRICAL DATA							
	N° IMPELLER	POWER SUPPLY 50 Hz	P1 MAX KW	P2 NOMINAL		In A	CAPACITOR	
				kW	HP		µF	Vc
EUROCOM 30/50 M	3	1x220-240 V ~	0.88	0.55	0.75	3.9	12.5	450
EUROCOM 40/50 M	4	1x220-240 V ~	1.2	0.75	1	5.3	25	450
EUROCOM 40/50 T		3x230-400 V ~	1.18	0.75	1	3.8-2.2	-	-

MODEL	A	B	C	E	F	G	I Ø	H	H1	H2	DNA GAS	DNM GAS	PACK DIMENSIONS			VOLUME (mc)	GROSS WEIGHT Kg
													L/A	L/B	H		
EUROCOM 30/50 M	406	170	122	208	14	111	9	198	144	-	1"	1"	470	240	240	0.027	8.8
EUROCOM 40/50 M	406	170	122	208	14	111	9	203	144	-	1"	1"	470	240	240	0.027	11
EUROCOM 40/50 T	422	170	122	208	14	111	9	203	144	-	1"	1"	470	240	240	0.027	12.5

# EUROCOM 80-SELF-PRIMING MULTISTAGE CENTRIFUGAL PUMPS CENTRIFUGAL ELECTRIC PUMPS FOR DOMESTIC WATER SUPPLY

Liquid temperature range pumped: from 0 °C to +35 °C - Maximum ambient temperature: +40°C



The performance curves are based on the kinematic viscosity values = 1 mm²/s and density equivalent to 1000 kg/m³. Curve tolerance according to ISO 9906.

MODEL	ELECTRICAL DATA							
	N° IMPELLER	POWER SUPPLY 50 Hz	P1 MAX KW	P2 NOMINAL		In A	CAPACITOR	
				kW	HP		µF	Vc
EUROCOM 30/80 T	4	3x230-400V ~	1.04	0.8	1.1	3.3-1.9	-	-

MODEL	A	B	C	E	F	G	I Ø	H	H1	H2	DNA GAS	DNM GAS	PACK DIMENSIONS			VOLUME (mc)	GROSS WEIGHT Kg	
													L/A	L/B	H		M	T
EUROCOM 30/80 T	425	170	122	208	14	111	9	203	144	-	1"	1"	470	240	240	0.027	11	11.3