

design PATRICK NORGUET

2013

## NL62A Nile 62

Countertop basin cm 62

• WITHOUT OVERFLOW • WITHOUT TAP LEDGE

Complements: FORTY6 shelf (F6NL)  
 FILO 75 metal structure ( FI75SV - FI75SC)  
 BOX wall hung vanity units depth 50 cm  
 CUBIKA wall hung vanity units depth 50 cm  
 DENVER furniture (DV103M)  
 Line taps basin: ONE - NOKÉ - FOLD - SI - X1  
 Line accessories: TWO - HOOP - NOKÉ - FOLD

Technical accessories: Chrome siphon (SIFL/CR) - Telescopic chrome siphon (SIFL066)  
 Stop & Go drain (PLSG)  
 CERAMIC Stop & Go drain (PLCE)  
 Chrome waste with automatic integrated overflow (PLTPCR)  
 Waste with automatic integrated overflow and ceramic cover (PLTPCE)  
 Two piece set chrome tap filters (RF026)

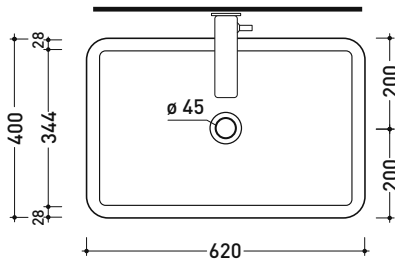
Package dim.

Weight kg 13

Pz. Pallet n° 24

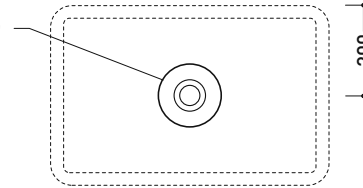
UNI EN 14688 - CL00

Dop-No14688

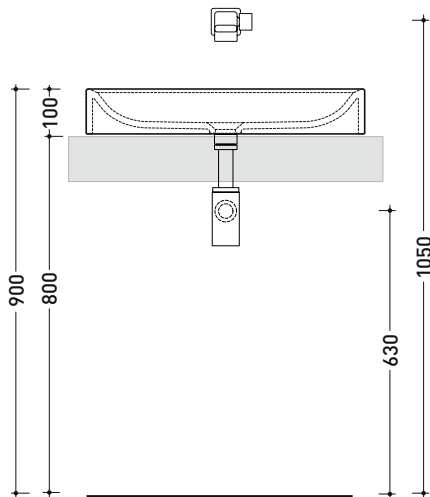


vista zenitale / zenital view

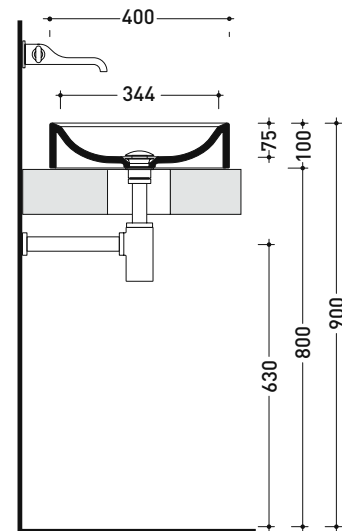
foro consigliato  
 sul piano Ø140  
 suggested hole  
 on the top Ø140



vista zenitale / zenital view



vista frontale / frontal view



sezione longitudinale / section

sizes in mm

Please consider a 2% tolerance on indicated measurements

CERAMIC: glossy finish



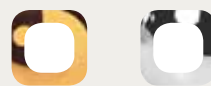
white black

matt finish



milky white carbone

METAL: glossy finish



white / gold white / platinum