

# SPECIFICATION SHEET

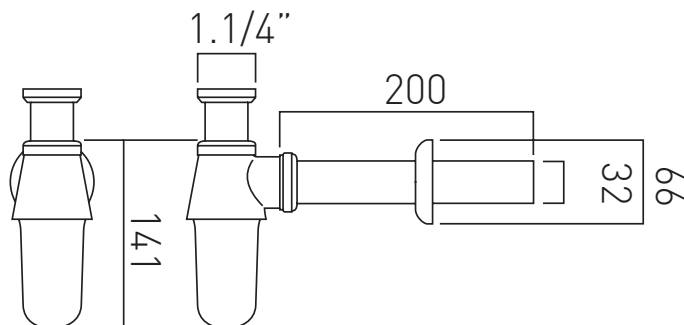
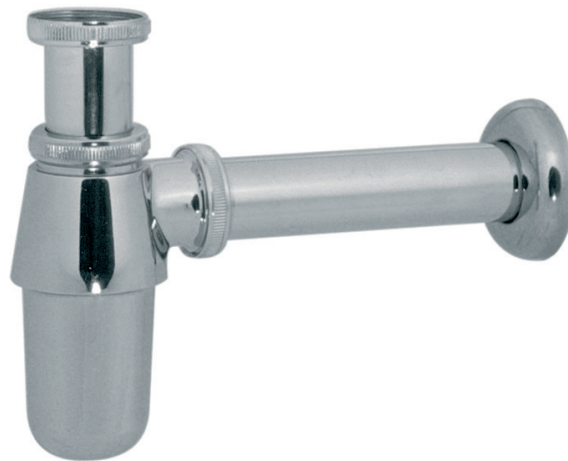


**PRODUCT CODE:** PEX-460S-1.1/4-C/P

**DESCRIPTION:**

bottle trap  
1.1/4" x 1.1/4"  
32mm x 200mm outlet pipe  
min-max vertical adjustment  
50-140mm to outlet centre

**FINISH:** Chrome



standard packing details	
item weight (kg)	0.51
inner box contains	1
box weight (kg)	0.58
full pallet contains	384
pallet weight (kg)	243

tel: +44 (0)1934 745160  
email: [export@vado.com](mailto:export@vado.com)  
[www.vado.com](http://www.vado.com)

