

SPECIFICATION SHEET

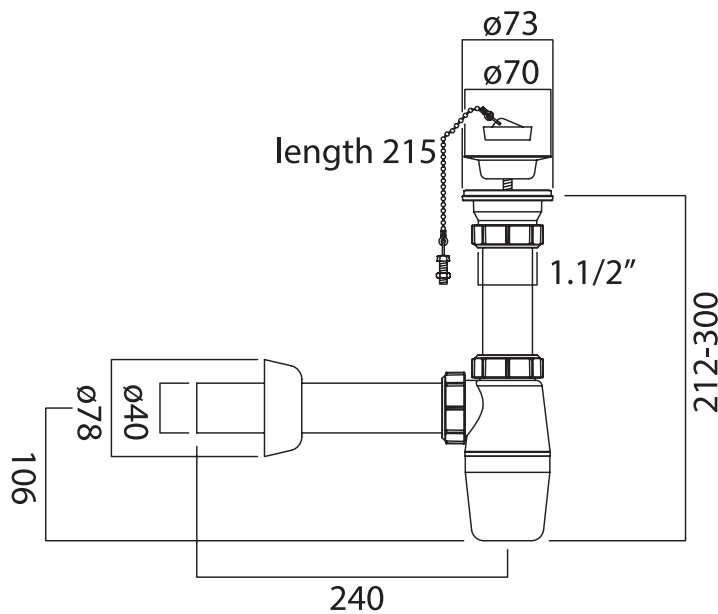


PRODUCT CODE: PEX-472-WHT

DESCRIPTION:

1.1/2" white PP bottle trap

FINISH: White



standard packing details

item weight (kg)	0.4
outer carton contains	36
carton weight (kg)	14.5
full pallet contains	432
pallet weight (kg)	174

tel: +44 (0)1934 745160
email: export@vado.com
www.vado.com

