

Pegler Proflow

Double regulating valve (DRV). DZR brass body, XPress ends for copper/carbon steel/stainless steel tube

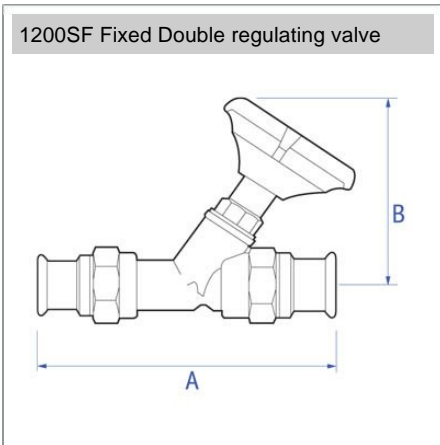
1200SF Fixed Double regulating valve



General Information

Size	Pattern No.	Pack 1 Qty	Pack 2 Qty	Code	Barcode	Price (£) each ex VAT	Discontinued	Date Discontinued
DN15 / 15mm	PS1200SF 1	1	8	126009	5022050562135	£89.54		
DN15 / 18mm	PS1200SF 1	1	0	126131	5022050563897	Disc(Stock available)	Discontinued	17/09/2021
DN20 / 22mm	PS1200SF 1	1	8	126010	5022050562166	£133.68		
DN25 / 28mm	PS1200SF 1	1	4	126011	5022050562241	£160.34		
DN32 / 35mm	PS1200SF 1	1	3	126012	5022050562791	£231.88		
DN40 / 42mm	PS1200SF 1	1	4	126013	5022050562821	£270.29		
DN50 / 54mm	PS1200SF 1	1	0	126014	5022050562876	£393.41		

1200SF Fixed Double regulating valve



Dimensions

Code	Description	A	B
126009	DN15/15mm PS1200SF	127	106 0.56
126010	DN20/22mm PS1200SF	136	106 0.64
126011	DN25/28mm PS1200SF	157	113 1.00
126012	DN32/35mm PS1200SF	181	120 1.48
126013	DN40/42mm PS1200SF	195	123 1.89
126014	DN50/54mm PS1200SF	235	138 3.29

Pegler Yorkshire reserve the right to change specifications

Flow Rate

Size	Pattern No.	Code	Kv m3/h
DN15 / 15mm	PS1200SF	126009	2.30
DN20 / 22mm	PS1200SF	126010	2.48
DN25 / 28mm	PS1200SF	126011	7.15
DN32 / 35mm	PS1200SF	126012	15.08
DN40 / 42mm	PS1200SF	126013	20.84
DN50 / 54mm	PS1200SF	126014	28.89

Pegler Yorkshire reserve the right to change specifications

Materials

Component	Material
-----------	----------

Body	GDCBr, BSEN 1982, CC 752S
Bonnet	EBB, BSEN 12164, CW 617N
Spindle	EBB, BSEN 12164, CW 617N
Disc	EBB, BSEN 12164, CW 617N
Gland	Packing Piece EBB, BSEN 12164, CW 617N
'O' rings	EPTO
Circlip	Carbon spring steel
Adjustment screw	EBB, BSEN 12164, CW 617N
Seals	EPTO
Handle	30% Glass filled nylon 66
Set screw	Brass
End connection	Gunmetal body
End connection 'O' ring	EPDM

Technical Suitability

Steam	Water	Oil	Air	Gas	Inert Gas	Gas Combustible†	Gas Corrosive††	Gas Oxygen
no	yes	no	no	no	no	no	no	no

Pegler Yorkshire reserve the right to change specifications

Gas application guide

Class 1. INERT Air, argon, carbon dioxide, helium, nitrogen

Class 2. COMBUSTIBLE Hydrogen, methane, natural gas, town gas

Class 3. CORROSIVE Chlorine, sulphur dioxide Class 4. OXYGEN

Class 1. INERT Air, argon, carbon dioxide, helium, nitrogen

† Valves are suitable for British Gas Applications Family Gases 1, 2 and 3.

†† Suitable in applications where moisture is completely absent.