

Pegler Valve

ResiFlow RES1 Valve MF

ResiFlow RES1 Valve MF

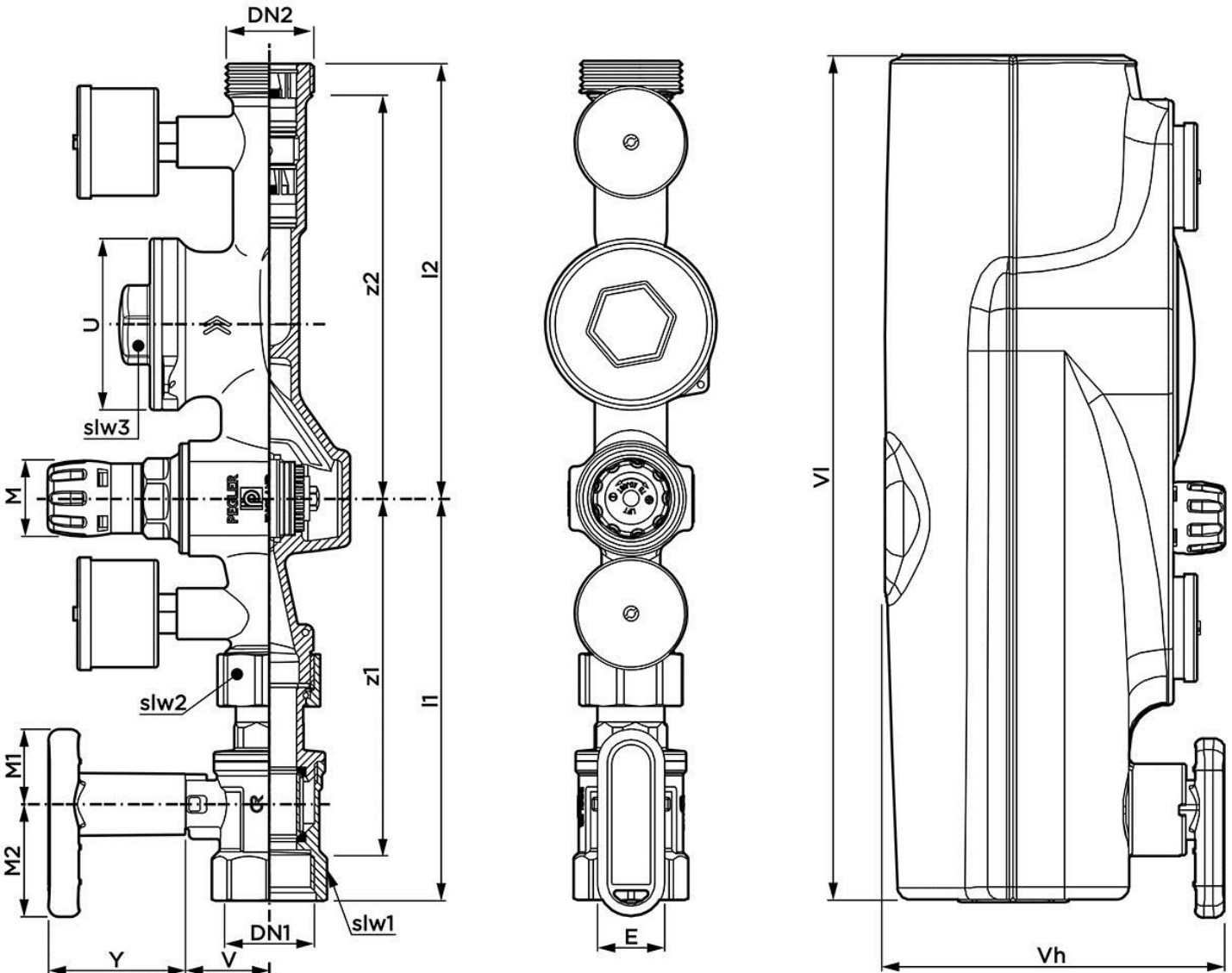


General Information

Size	Pattern No.	Pack 1 Qty	Pack 2 Qty	Code	Barcode	Price (£) each ex VAT
3/4		1	0	5A3001	5022050648563	£280.39
1x1		1	0	5A3002	5022050648570	£300.42

Code	Description	DN1	DN2	E	I1	I2	M1	M2	slw1	slw2	slw3	U	V	Vh	VI	Y	z1	z2	M
5A3001	ResiFlow RES1 Valve 3/4x1 MF	3/4"	1"	25	155	163	28	42	40	37	28	64	32	123	329	50	131	150	28
5A3002	ResiFlow RES1 Valve 1X1 MF	1"	1"	25	150	163	28	42	40	37	28	64	32	123	324	50	131	150	28

Pegler Yorkshire reserve the right to change specifications



Valves and Fittings

Pegler Customcare 2 Year Guarantee - Terms and Conditions

Products are subject to a 2 year guarantee that is between Pegler and the final purchaser of the product.

The guarantee is subject to proof of purchase being supplied.

This guarantee does not affect any statutory rights the consumer may have in law.

The guarantee covers manufacturing or material defects and does not cover parts subject to normal wear and tear.

This product range has been designed for the use of homeowners, domestic and commercial applications and therefore the guarantee is subject to the product being properly selected for their intended service conditions.

The guarantee is not applicable where the product is fitted contrary to the conditions in the fitting instructions.

Provided it is installed correctly and receives adequate preventative maintenance it should give years of trouble –free service.

Abusive behaviour and accidental damage to the product are not covered by this guarantee.

The extent of this liability is limited to the cost of the replacement of the defective item and not to fitting or consequential damages.

Materials

Component	Material
Body	low lead CC768S silicon bronze
Inlet valve	DZR brass, CW511
Prv Cartridge	acetal
Check valve	acetal
Strainer	stainless steel
O rings	EPDM
union seals	cliniseal
insulation	EPP (expanded Polypropylene foam)