

Pegler Valve

ResiFlow RES2 Valve FF

ResiFlow RES2 Valve FF

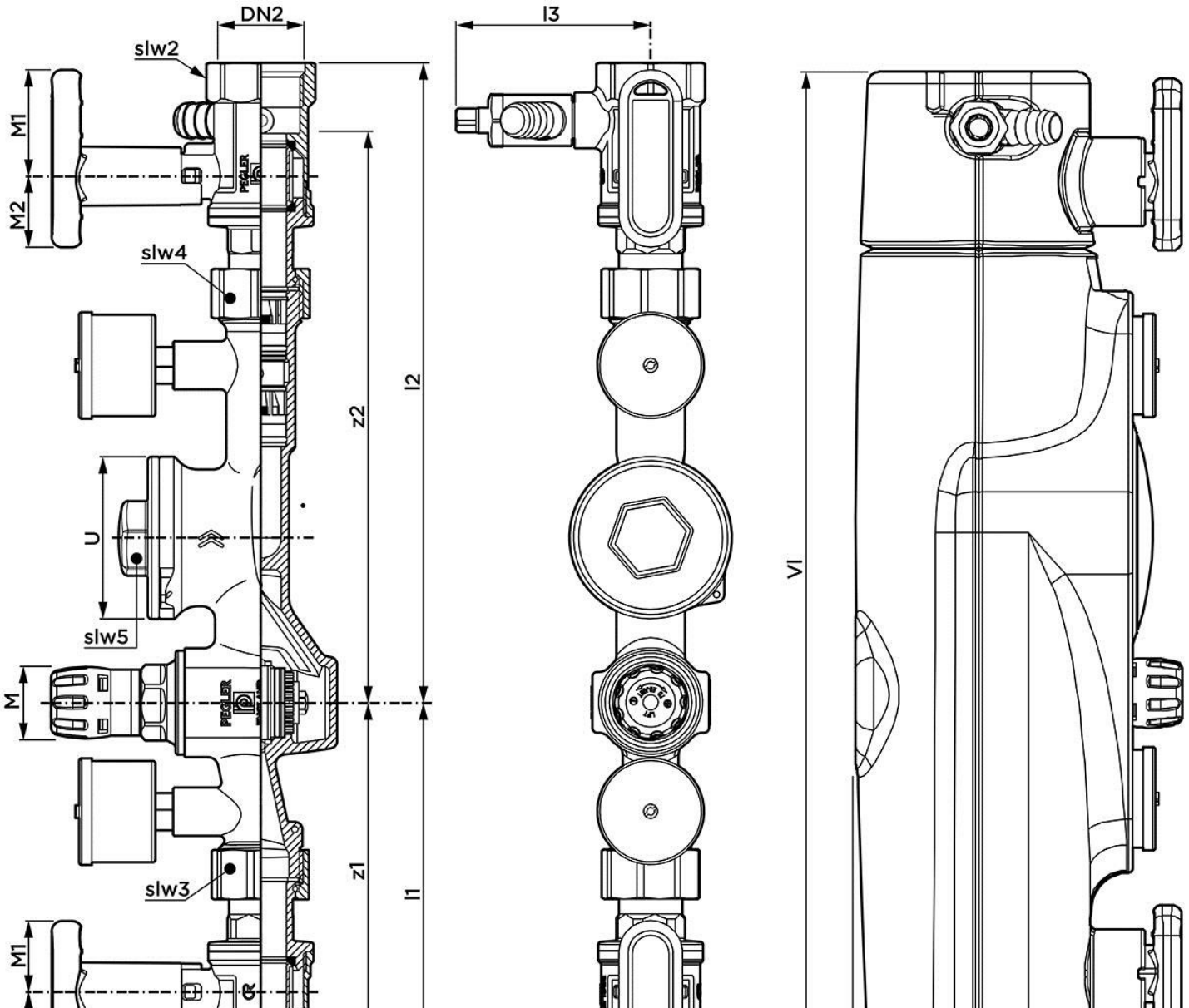


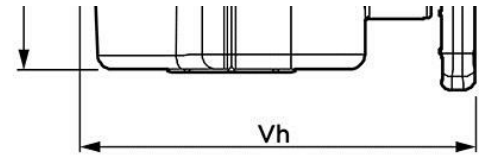
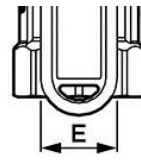
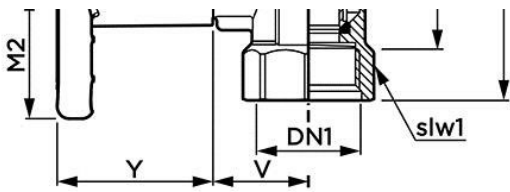
General Information

Size	Pattern No.	Pack 1 Qty	Pack 2 Qty	Code	Barcode	Price (£) each ex VAT
3/4		1	0	5A3021	5022050648587	£300.99
1x1		1	0	5A3022	5022050648594	£321.02

Code	Description	DN1	DN2	E	I1	I2	I3	M1	M2	slw1	slw2	slw3	slw4	slw5	U	V	Vh	VI	Y	z1	z2	M
5A3021	ResiFlow RES2 Valve 3/4 FF	3/4"	3/4"	25	155	257	77	28	42	40	40	37	37	28	64	32	123	413	50	131	225	28
5A3022	ResiFlow RES2 Valve 1 FF	1"	1"	25	150	252	77	28	42	40	40	37	37	28	64	32	123	403	50	131	225	28

Pegler Yorkshire reserve the right to change specifications





Guarantee

Valves and Fittings

Pegler Customcare 2 Year Guarantee - Terms and Conditions

Products are subject to a 2 year guarantee that is between Pegler and the final purchaser of the product.

The guarantee is subject to proof of purchase being supplied.

This guarantee does not affect any statutory rights the consumer may have in law.

The guarantee covers manufacturing or material defects and does not cover parts subject to normal wear and tear.

This product range has been designed for the use of homeowners, domestic and commercial applications and therefore the guarantee is subject to the product being properly selected for their intended service conditions.

The guarantee is not applicable where the product is fitted contrary to the conditions in the fitting instructions.

Provided it is installed correctly and receives adequate preventative maintenance it should give years of trouble-free service.

Abusive behaviour and accidental damage to the product are not covered by this guarantee.

The extent of this liability is limited to the cost of the replacement of the defective item and not to fitting or consequential damages.

Materials

Component	Material
Body	low lead copper silicon alloy CC768S*
Inlet valve	DZR brass, CW511
Prv Cartridge	acetal
Check valve	acetal
Strainer	stainless steel
O rings	EPDM
Union seals	cliniseal
Insulation	EPP (expanded Polypropylene foam)