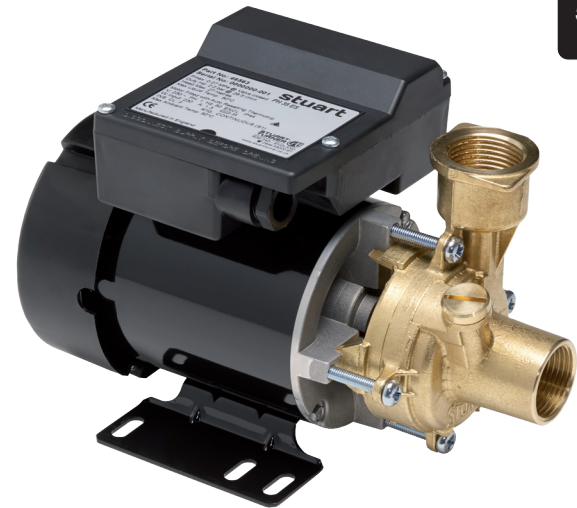


STUART

PH ES Peripheral Pumps

The range of PH ES peripheral pumps is designed to pump clean, fresh water. Other non aggressive, non explosive liquids with similar characteristics to water may be pumped.

The range can be used for pressure boosting, liquid transfer and distribution. They are also suitable for flooded suction applications.



50 Hz

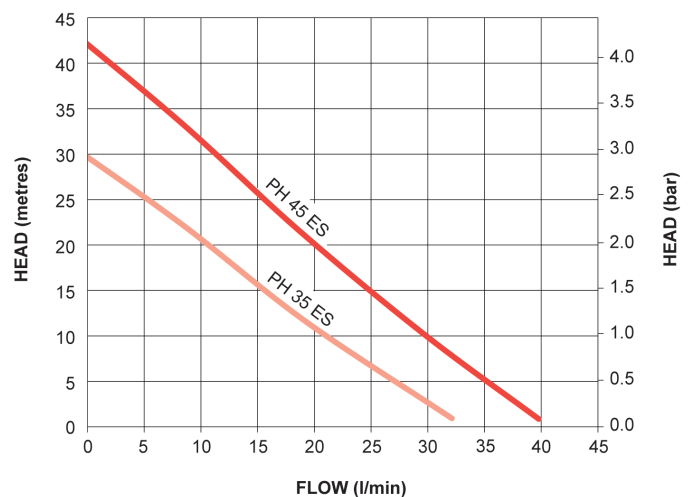


Features

- Peripheral pump
- Flow rates up to 40 litres per minute and heads up to 42 metres
- End suction, vertical delivery connections
- Extended life seal
- Standard control
- Brass pump head and impeller
- Continuously rated
- 2 year guarantee

Application

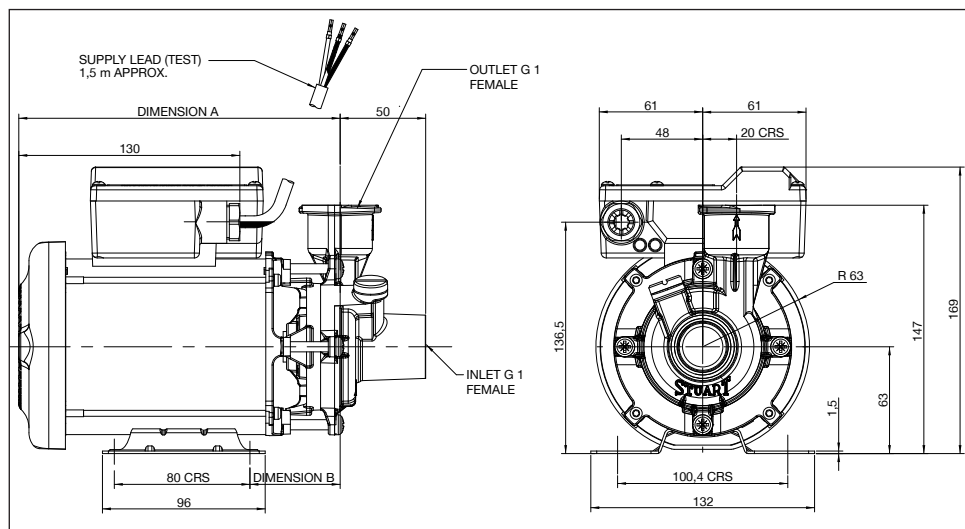
- The range of PH ES peripheral pumps are designed to pump clean, fresh water. Other clean, non aggressive, non explosive liquids with similar characteristics to water may be pumped. The range can be used for pressure boosting, liquid transfer and distribution



Pump Model		PH 35 ES 50 Hz 46563	PH 35 ES 50 Hz 46451	PH 45 ES 50 Hz 46564	PH 45 ES 50 Hz 46454
General	Guarantee	2 years			
	WRAS approval	Approved materials			
	Approvals	CE			
Features	Pump type	Peripheral			
	Priming vent plug	✓	✓	✓	✓
	Typical noise	61 dB(A)		64 dB(A)	
Materials	Pump body	Brass			
	Impeller	Brass			
	Mechanical seal	EPDM / PTFE / Al. Oxide	Viton / Carbon / Silicon Carbide	EPDM / PTFE / Al. Oxide	Viton / Carbon / Silicon Carbide
Performance	Maximum head – closed valve	3.0 bar / 30 metres		4.2 bar / 42 metres	
	Performance @ 9 l/min	2.0 bar / 20 metres		3.2 bar / 32 metres	
	Performance @ 18 l/min	1.2 bar / 12 metres		2.3 bar / 23 metres	
	Maximum flow	32 l/min		40 l/min	
	Minimum static inlet pressure	0.05 bar (0.5 metres)			
	Maximum static inlet pressure	1.4 bar (14 metres)			
	Maximum working pressure*	600 kPa (6 bar)			
	Maximum viscosity	50 secs redwood no. 19.5 centistokes			
	Max. ambient air temperature (continuous)	40 °C	40 °C	40 °C	40 °C
	Max. ambient air temperature (intermittent)	50 °C	n/a	50 °C	n/a
	Min / Max water temperature	Min 4 °C / Max 80 °C			
Suction lift**	4.6 metres				
Connections	Pump connections	G 1 female			
Motor	Type	Induction, auto-reset thermal trip			
	Duty rating	Continuous (S1) @ 5 l/min and above			
Electrical	Power supply (Vac/Ph/Hz)	230 V a.c. / 1 / 50 Hz			
	Power consumption – P1	450 Watts		665 Watts	
	Current – full load	1.95 Amps		2.9 Amps	
	Fuse rating	5 Amps			
	Power cable length	1.5 metres (pre-wired)			
Physical	Enclosure protection	IP44			
	Length	241 mm		257 mm	
	Width	132 mm			
	Height – excluding hoses	169 mm			
	Weight – including fittings	4.6 Kg		6.2 Kg	

* The maximum pressure that can be applied to the pump under any installation conditions.

** With footvalve fitted.



Pump Description	Dim. 'A'	Dim. 'B'
PH 35 ES	191 mm	53 mm
PH 45 ES	207 mm	53 mm

Stuart Turner Limited reserves the right to amend specifications without notice.