

# STUART

## PH TS Peripheral Pumps

The PH TS range is particularly suitable where space is at a premium to pump clean, fresh water.

Other clean non aggressive, non explosive liquids with similar characteristics to water may be pumped.

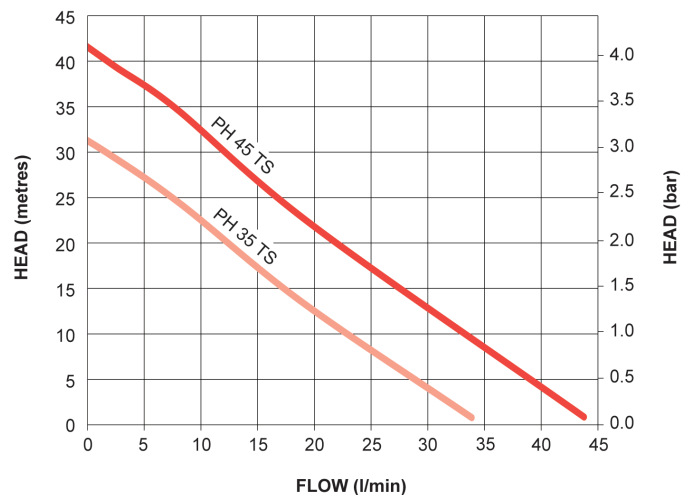


### Features

- Peripheral pump
- Flow rates up to 44 litres per minute and heads up to 42 metres
- Top suction, vertical delivery connections
- Extended life seal
- Standard control
- Brass pump head and impeller
- Continuously rated
- 2 year guarantee

### Application

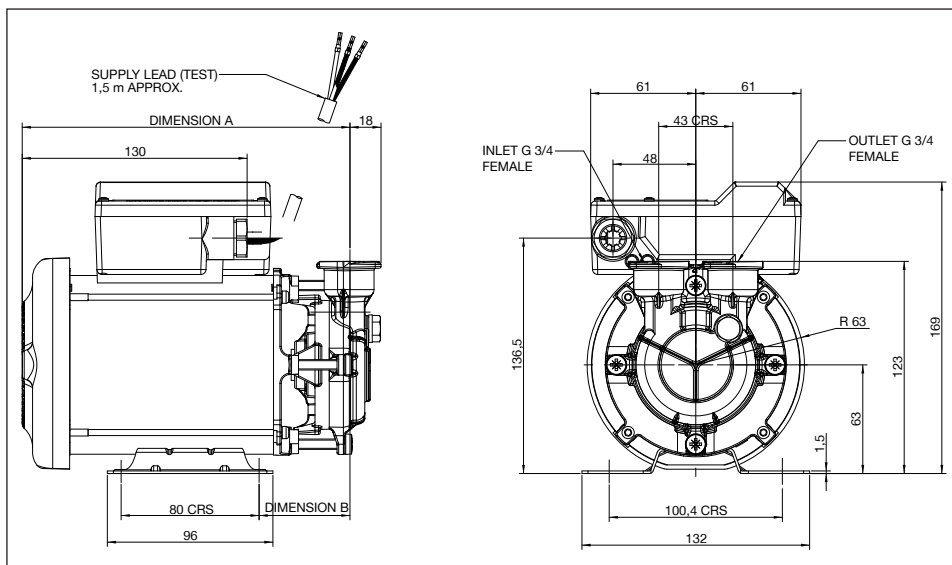
- The PH TS range is particularly suitable where space is at a premium to pump clean, fresh water. Other clean non aggressive, non explosive liquids with similar characteristics to water may be pumped



Pump Model		PH 35 TS 50 Hz 46496	PH 35 TS 50 Hz 46445	PH 45 TS 50 Hz 46504	PH 45 TS 50 Hz 46448
General	Guarantee	2 years			
	WRAS approval	Approved materials			
	Approvals	CE			
Features	Pump type	Peripheral			
	Priming vent plug	✓	✓	✓	✓
	Typical noise	56 dB(A)			
Materials	Pump body	Brass			
	Impeller	Brass			
	Mechanical seal	EPDM / PTFE / Al. Oxide	Viton / Carbon / Silicon Carbide	EPDM / PTFE / Al. Oxide	Viton / Carbon / Silicon Carbide
Performance	Maximum head – closed valve	3.0 bar / 30 metres		4.2 bar / 42 metres	
	Performance @ 9 l/min	2.3 bar / 23 metres		3.3 bar / 33 metres	
	Performance @ 18 l/min	1.4 bar / 14 metres		2.4 bar / 24 metres	
	Maximum flow	34 l/min		44 l/min	
	Minimum static inlet pressure	0.05 bar (0.5 metres)			
	Maximum static inlet pressure	1.4 bar (14 metres)			
	Maximum working pressure*	600 kPa (6 bar)			
	Maximum viscosity	50 secs redwood no. 1 9.5 centistokes			
	Maximum ambient air temperature	40 °C			
	Min / Max water temperature	Min 4 °C / Max 80 °C			
	Maximum suction lift**	4.6 metres			
Connections	Pump connections	G ¾ female			
Motor	Type	Induction, auto-reset thermal trip			
	Duty rating	Continuous (S1) @ 2.5 l/min and above			
Electrical	Power supply (Vac/Ph/Hz)	230 V a.c. / 1 / 50 Hz			
	Power consumption – P1	410 Watts		600 Watts	
	Current – full load	1.8 Amps		2.6 Amps	
	Fuse rating	5 Amps			
	Power cable	1.5 metres (pre-wired)			
Physical	Enclosure protection	IP44			
	Length	209 mm		225 mm	
	Width	132 mm			
	Height – excluding hoses	169 mm			
	Weight – including fittings	4.4 Kg		6.0 Kg	

\* The maximum pressure that can be applied to the pump under any installation conditions.

\*\* With footvalve fitted.



Pump Description	Dim. 'A'	Dim. 'B'
PH 35 TS	191 mm	53 mm
PH 45 TS	207 mm	53 mm

Stuart Turner Limited reserves the right to amend specifications without notice.