

STUART

Submersible Pumps

The Supervort 140A and 240A submersible pumps are designed for the transference of dirty water and is capable of handling semi-solids in suspension of up to 20 mm diameter.

This pump is compact in design, easy to install and features an external adjustable float switch.

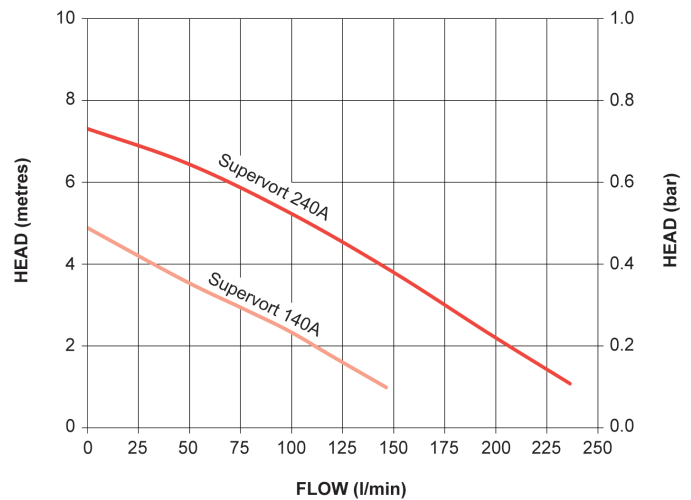


Features

- Submersible pump
- Flow rates up to 240 litres per minute and heads up to 7.4 metres
- Suitable for transference of non foul water including solids up to 20 mm
- External adjustable floating switch
- Continuously rated
- 1 year guarantee

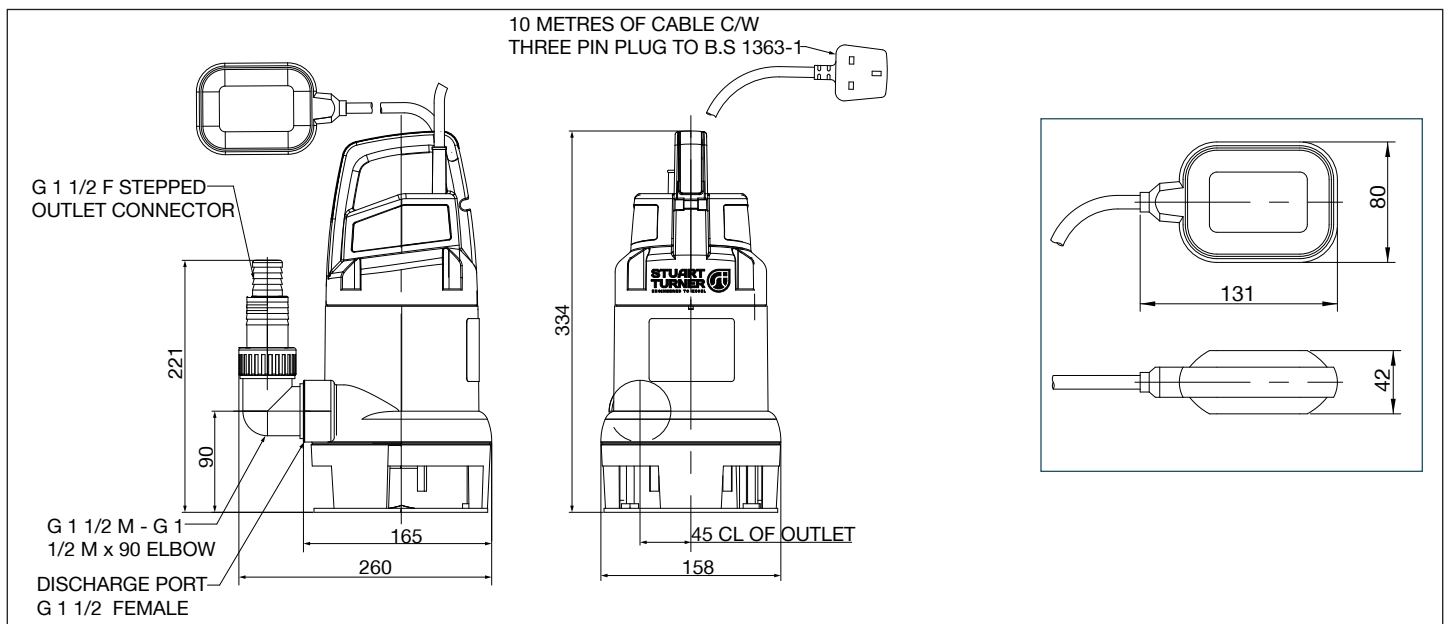
Application

- Ideal for ponds with large gravity fed filter systems where the pump can be incorporated in the filter, with suitable protection to allow water only to enter the pump.



Pump Model		Supervort 140A 50 Hz 46541	Supervort 240A 50 Hz 46542
General	Guarantee	1 years	
	Approvals	CE	
Features	Pump type	Submersible	
	Pump control	Float switch	
	Carry handle	✓	✓
	Automatic float switch	✓	✓
	Noise	35 dB(A)	35 dB(A)
Materials	Pump body	Polypropylene	
	Impeller	Plastic	
	Pump mechanical seal	Double lip	
Performance	Maximum head (closed valve)	5.0 metres	7.4 metres
	Performance @ 50 l/min	3.7 metres	6.5 metres
	Performance @ 100 l/min	2.4 metres	5.2 metres
	Maximum flow	140 l/min	240 l/min
	Minimum immersion depth	120 mm	
	Maximum immersion depth	7 metres	
	Suction to remaining depth - automatic mode	120 mm	
	Maximum suspended particle size	20 mm	
Min / Max water temperature**	Min 4 °C / Max 35 °C		
Connections	Pump connections - outlet	G 1½ female	
	Hose connector	G 1 male x G 1½ female x 25 or 32 mm bore hose	
Motor	Type	Induction (thermal trip / auto reset)	
	Duty rating	Continuous (S1)	
Electrical	Power supply / phase / frequency	230 V a.c. / 1 / 50 Hz	
	Power consumption	320 Watts	513 Watts
	Current (full load)	1.4 Amps	2.3 Amps
	Fuse rating	5 Amps	
	Power cable (pre-wired)	10 metres	
Physical	Enclosure protection	IPX8	
	Width	260 mm	
	Depth	158 mm	
	Height (excluding hoses)	334 mm	
	Weight (including fittings)	4.2 Kg	5.4 Kg
Optional accessories	Lay flat hose 32 mm x 5 m	Pt No 19965	
	Lay flat hose 32 mm x 10 m	Pt No 19966	
	Lay flat hose 32 mm x 15 m*	Pt No 20363	

* This hose is suitable for the Supervort 240A model only.



Stuart Turner Limited reserves the right to amend specifications without notice.