

# Pegler Proflow

Metering station, 304 stainless steel, fits flanges BS EN 1092-1 PN16

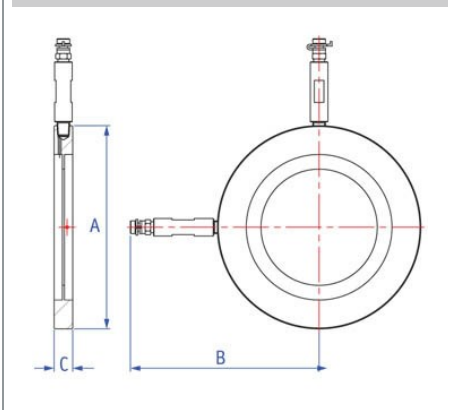
V953 Fixed metering station



## General Information

Size	Pattern No.	Pack 1 Qty	Pack 2 Qty	Code	Barcode	Price (£) each ex VAT
DN50	V953	1	0	<a href="#">15540</a>	5022050562265	£234.21
DN65	V953	1	0	<a href="#">15541</a>	5022050562807	£257.63
DN80	V953	1	0	<a href="#">15542</a>	5022050562814	£319.82
DN100	V953	1	0	<a href="#">15543</a>	5022050562838	£380.00
DN125	V953	1	0	<a href="#">15544</a>	5022050562852	£567.86
DN150	V953	1	0	<a href="#">15545</a>	5022050562883	£659.85
DN200	V953	1	0	<a href="#">15546</a>	5022050563071	£1561.96
DN250	V953	1	0	<a href="#">15547</a>	5022050563095	£1681.37
DN300	V953	1	0	<a href="#">15548</a>	5022050563118	£2609.84
DN350	V953	1	0	<a href="#">15549</a>	5022050571526	£3749.00
DN400	V953	1	0	<a href="#">15526</a>	5022050571458	£4733.59
DN450	V953	1	0	<a href="#">15527</a>	5022050571472	£7573.72
DN500	V953	1	0	<a href="#">15528</a>	5022050571489	£8368.99
DN600	V953	1	0	<a href="#">15529</a>	5022050571496	£12951.08

V953 Fixed metering station



## Dimensions

Code	Description	A	B	C
15540	DN50 V953	109	148	20 1.40
15541	DN65 V953	129	158	20 1.90
15542	DN80 V953	144	166	20 2.20
15543	DN100 V953	164	176	20 2.40
15544	DN125 V953	194	191	20 3.10
15545	DN150 V953	220	204	20 3.40
15546	DN200 V953	275	232	20 4.70
15547	DN250 V953	358	273	20 6.08
15548	DN300 V953	386	287	20 7.60
15549	DN350 V953			
15526	DN400 V953			
15527	DN450 V953			
15528	DN500 V953			
15529	DN600 V953			

Pegler Yorkshire reserve the right to change specifications

## Materials

Component	Material
Body	Stainless steel
Test point	DZR Brass
Extension	Stainless steel

## Technical Suitability

Steam	Water	Oil	Air	Gas	Inert Gas	Combustible†	Gas Corrosive††	Gas Oxygen
no	yes	no	no	no	no	no	no	no

### **Gas application guide**

Class 1. INERT Air, argon, carbon dioxide, helium, nitrogen

Class 2. COMBUSTIBLE Hydrogen, methane, natural gas, town gas

Class 3. CORROSIVE Chlorine, sulphur dioxide Class 4. OXYGEN

Class 1. INERT Air, argon, carbon dioxide, helium, nitrogen

† Valves are suitable for British Gas Applications Family Gases 1, 2 and 3.

†† Suitable in applications where moisture is completely absent.

Pegler Yorkshire Group Ltd, St Catherine's Ave, Doncaster, S Yorkshire, DN4 8DF

Telephone: Phone +44 (0) 844 243 4400 Fax: +44 (0) 844 243 9870 Website: [www.pegler-yorkshire.co.uk](http://www.pegler-yorkshire.co.uk)

Registered office : Pegler Yorkshire Group Ltd, St Catherine's Ave, Doncaster, S Yorkshire, DN4 8DF Company no : 00401507